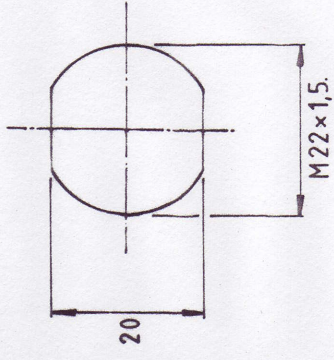
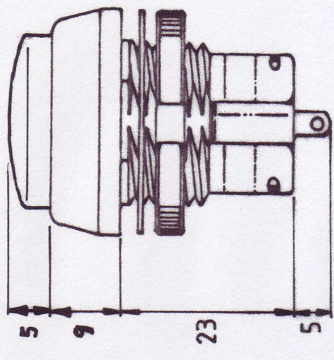
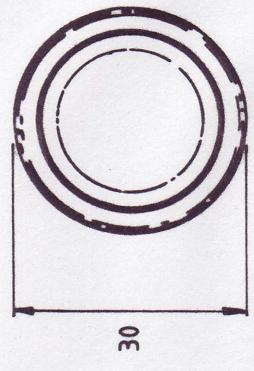


DRAWN IN ACCORDANCE WITH BS 308. THIRD ANGLE PROJECTION. DO NOT SCALE. DIMENSIONS ARE IN MILLIMETRES.

REMOVE ALL BURRS AND BREAK ALL SHARP EDGES. DIMENSIONS ARE BEFORE PLATING OR FINISH.

ROUGHNESS - 32 CLA. DIMENSIONS TO BE CONCENTRIC WITHIN. HOLD NORMAL AND PARALLEL FACES WITHIN. TOLERANCE UNLESS OTHERWISE SPECIFIED IS $± 0.1$ DIA.



SPECIFICATION

ENVIRONMENTAL

Temperature Range: -40 to +135°C

Ingress Protection: I.P. 67

Shock: 50 G

Impact: I.P. 67-9

Designed in accordance with:

British Coal (N.C.B.) non-spark metals specification 481/1965.

CENLEC. EN50014 "Component

Approval" Explosive protection class - Ex S (Special protection certified for use in Zone 0)

Gas Group - 11c.

Temperature classification T6.

Hazard area - Zone 0.

MECHANICAL

Dimensions

- Body diameter. 22 mm
- Body across flats. 20 mm
- Max. panel thickness. 6 mm
- Min. pitching. 30, 2 mm
- Installation torque. 2-5 Nm.

Construction

"All metal" external parts. "Stripable" switching element can be replaced.

Finish

Body black P.T.F.E.
Button black, red, or green P.T.F.E.

Life

10,000,000 cycles

ELECTRICAL

Configuration

SP/ON/OFF - SP/C/O
DP/ON/OFF/OFF/ON
Double break.

Contacts

Type 4044 Silver.

Current

5a at 250 VAC.
10a with life and max. temp. derated to 50,000 and +70°C.

Life

100,000 cycles

Dielectric Strength

1,000 V.c.m.s.

Insulation Resistance

1 Gohm.

Contact Resistance

25 m. ohm. initial.

ISS	CHANGE NOTE NO.	DATE	APPR.	ISS	CHANGE NOTE NO.	DATE	APPR.	FINISH:--			MATERIAL & SPEC:--		
1	84901	9-3-70	CH					HEAT TREAT:--			DRAWING No. 76-9420/4044		
	5 CN 86307	10-17-72	JR					DRAWN: [Signature]			TITLE 76-94 RAISED 4044		
								SCALE			DRAWING No. 76-9420/4044		
								APPR.			DATE 7-3-79		
								CHKD.			ISS C		
								DRAWN			ISS C		

ITW Switches
 Leon Switches, Chicago Switch, RCL UID Switches
 © 1989
 The copyright in this drawing and in the article shown belongs to ITW Switches and no reproduction in whole or in part of the drawing or the article shown may be made without prior written permission.