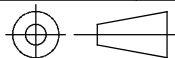


DRAWING No 59-900254-5 Sht. 1

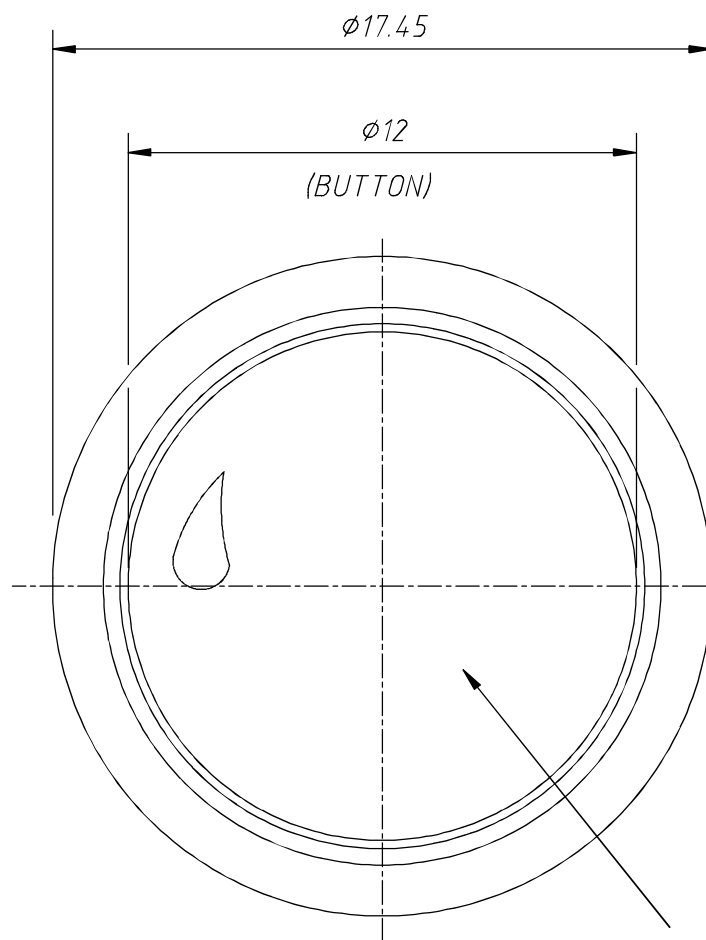
DO NOT SCALE



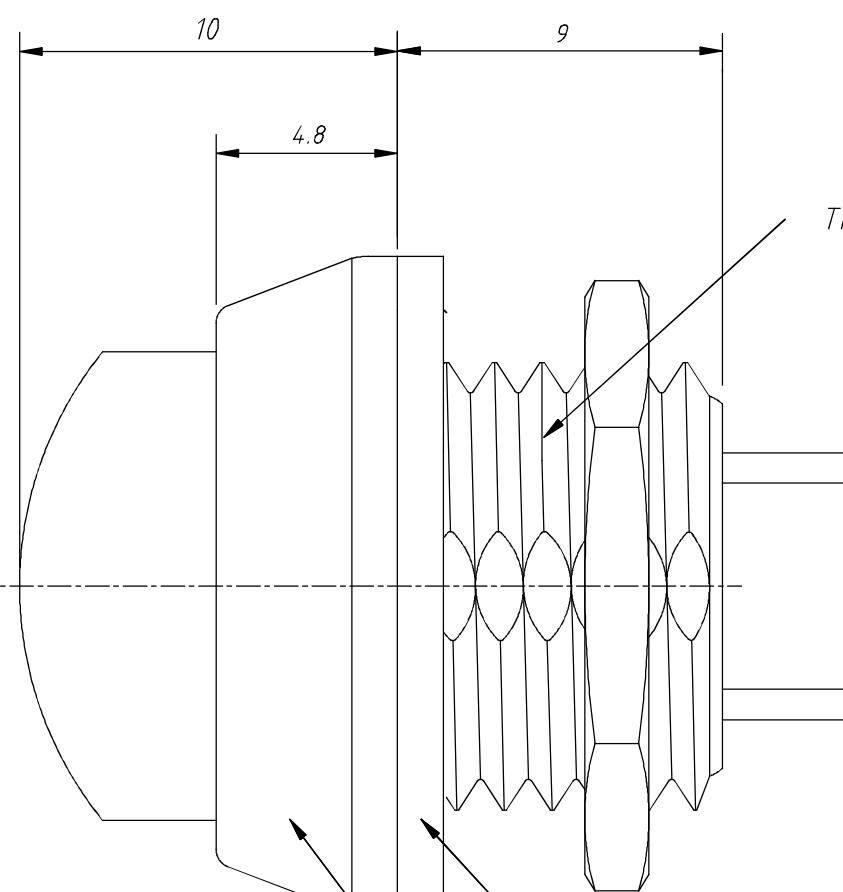
DIMENSIONS IN MILLIMETRES  
THIRD ANGLE PROJECTION

CAD SYSTEM: 1

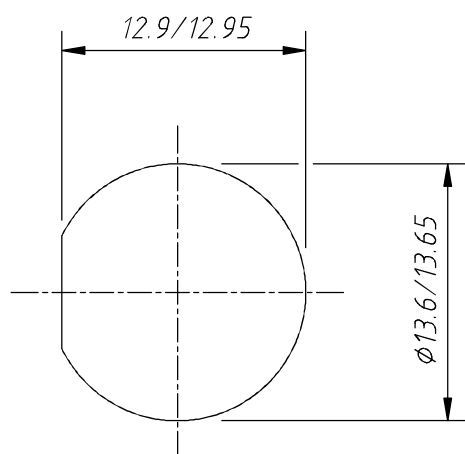
CAD FILE NAME:



BUTTON COLOUR, SEE CHART.



SUGGESTED PANEL CUTOUT



TOP LEVEL Pt. No.	DESCRIPTION
59-900254	RAISED BUTTON BLUE
59-900255	RAISED BUTTON BLACK

ELECTRICAL

DIELECTRIC STRENGTH	1000VAC
INSULATION RESISTANCE	1G Ohms
CONTACT RESISTANCE (INITIAL)	150m Ohms
CURRENT RATING:-	
@ 32VAC RESISTIVE	400mA
@ 50VDC RESISTIVE	100mA
@ 125VAC RESISTIVE	125mA
LIFE (MINIMUM)	500,000 CYCLES
SWITCHING POWER (MAXIMUM)	16VA AC

MECHANICAL

TRAVEL (NOMINAL)	2.3mm
LIFE (MINIMUM)	1,000,000 CYCLES
OPERATING FORCE (NOMINAL)	3N

ENVIRONMENTAL & PHYSICAL

INGRESS PROTECTION (FRONT OF PANEL ONLY)	IP67
SHOCK	100G
OPERATING TEMP RANGE	-40°C TO +105°C
CONTACTS	GOLD PLATED-NICKEL

ISS	ECN	SIGN	DATE	ISS	ECN	SIGN	DATE
A	87990	BV	26.8.09				

NOTICE  
ALL RIGHTS RESERVED:  
UNAUTHORISED USE,  
DISCLOSURE OR  
REPRODUCTION IN  
WHOLE OR IN PART IS  
STRICTLY PROHIBITED.

© 2009

**ITW Switches**  
**ITW Switchpanels**

Norway Road  
Hilsea  
Portsmouth  
Hants PO3 5HT

Tel: +44 (0)23 92 656200  
Fax: +44 (0)23 92 666352  
Internet: www.itwswitches.co.uk

STANDARD TOLERANCES  
NO PLACE DEC. ±0.5  
1 PLACE DEC. ±0.2  
2 PLACE DEC. ±0.1  
ANGULAR ±0.5°

UNLESS STATED OTHERWISE

SCALE: 1:1

MATERIAL

FINISH

DRAWN	DATE	SIGN	DATE
BV	26.8.09		

TITLE SWITCH ROUND  
PLASTIC, RAISED BUTTON

DRAWING No 59-900254-5 Sht. 1

A3