

TOLERANCE UNLESS OTHERWISE SPECIFIED
 DIAMETERS ϵ

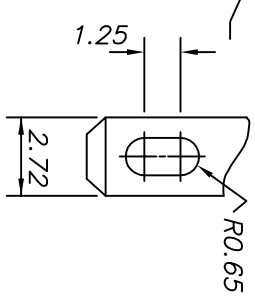
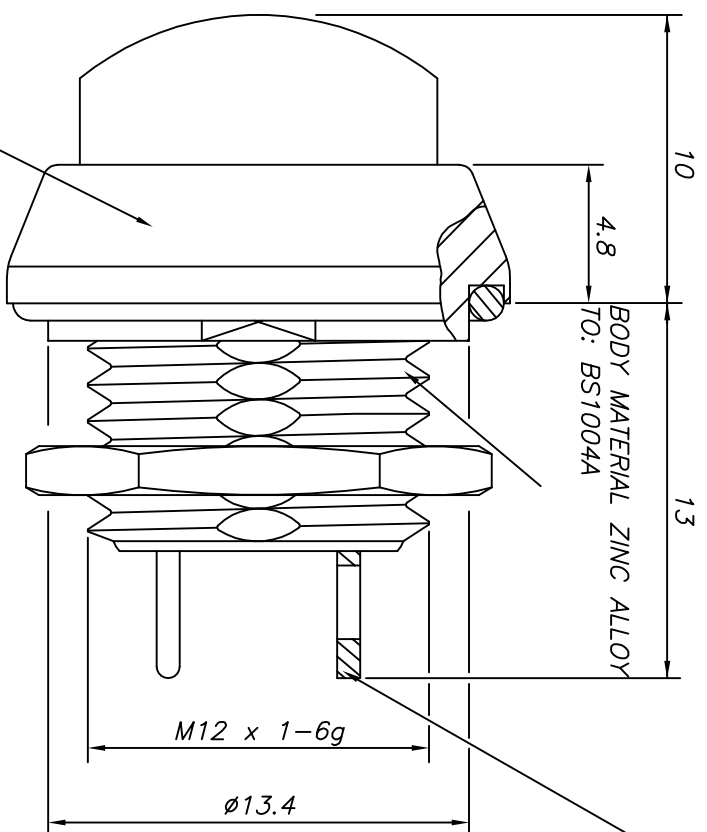
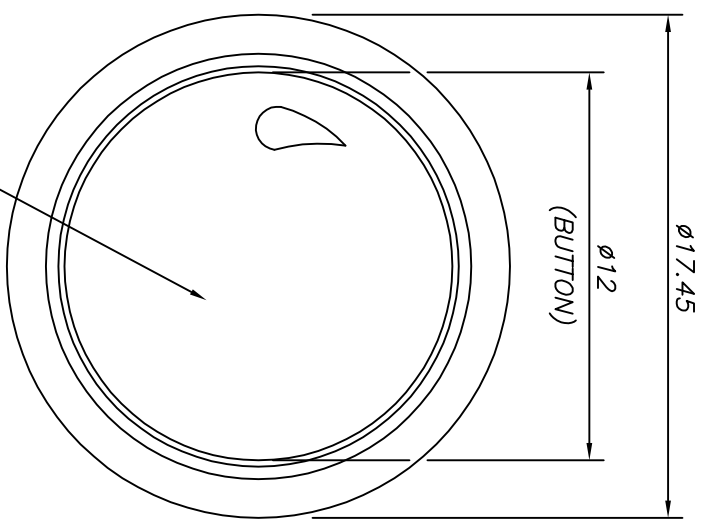
ROUGHNESS - 32 CLA
 DIAMETERS TO BE CONCENTRIC WITHIN -
 HOLD NORMAL AND PARALLEL FACES WITHIN -

REMOVE ALL BURRS AND BREAK ALL SHARP EDGES
 DIMENSIONS ARE BEFORE PLATING OR FINISH

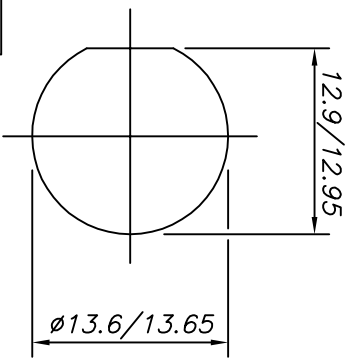
DRAWN IN ACCORDANCE WITH BS. 308.
 THIRD ANGLE PROJECTION. DO NOT SCALE.
 DIMENSIONS ARE IN MILLIMETRES.

DRAWING No.
 59-900091

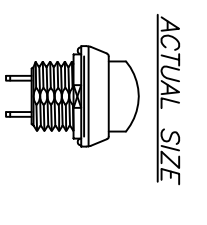
ISS.
 A



SUGGESTED PANEL CUTOUT



BEZEL FINISH: BLACK P.T.F.E.



CAD SYSTEM No: 1 DIRECTORY NAME: CAD DRAWING No: 599091TA.DWG

ISS.	CHANGE NOTE No.	DATE	DRAWN	ISS.	CHANGE NOTE No.	DATE	DRAWN
A	ECN86015	29.11.95	BV				

ITW Switches
 Leon Switches, Chicago Switch, RC/UID Switches
 © 1996
 The Copyright in this drawing and in the article shown belongs to ITW Switches and no reproduction in whole or in part of the drawing or the articles shown may be made without prior written permission.

DRAWN	CHKD.	APPR.	SCALE	DATE	TITLE	MANUFACTURE	SEALED	DRAWING No.	ISS.
BV	NE	NE	5:14.6.96	6.96	RAISED/ROUND BEZEL P/B			59-900091	A

- ELECTRICAL**
- DIELECTRIC STRENGTH 1000VAC
 - INSULATION RESISTANCE 1G Ohms
 - CONTACT RESISTANCE (INITIAL) 50m Ohms
 - CURRENT RATING:-
 - @ 32VAC RESISTIVE 400mA
 - @ 50VDC RESISTIVE 100mA
 - @ 125VAC RESISTIVE 125mA
 - LIFE (MINIMUM) 500,000 CYCLES
 - SWITCHING POWER (MAXIMUM) 16VA AC
- MECHANICAL**
- TRAVEL (NOMINAL) 2.3mm
 - LIFE (MINIMUM) 1,000,000 CYCLES
 - OPERATING FORCE (NOMINAL) 3N
 - ENVIRONMENTAL & PHYSICAL
 - INGRESS PROTECTION IP67
 - SHOCK 100G
 - OPERATING TEMP RANGE -55°C TO +125°C
 - CONTACTS GOLD PLATED-NICKEL

SEE GA.

A3