

TOLERANCE UNLESS OTHERWISE SPECIFIED  
 ? < S ? DIAMETERS ?

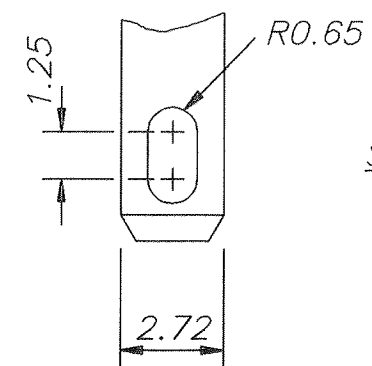
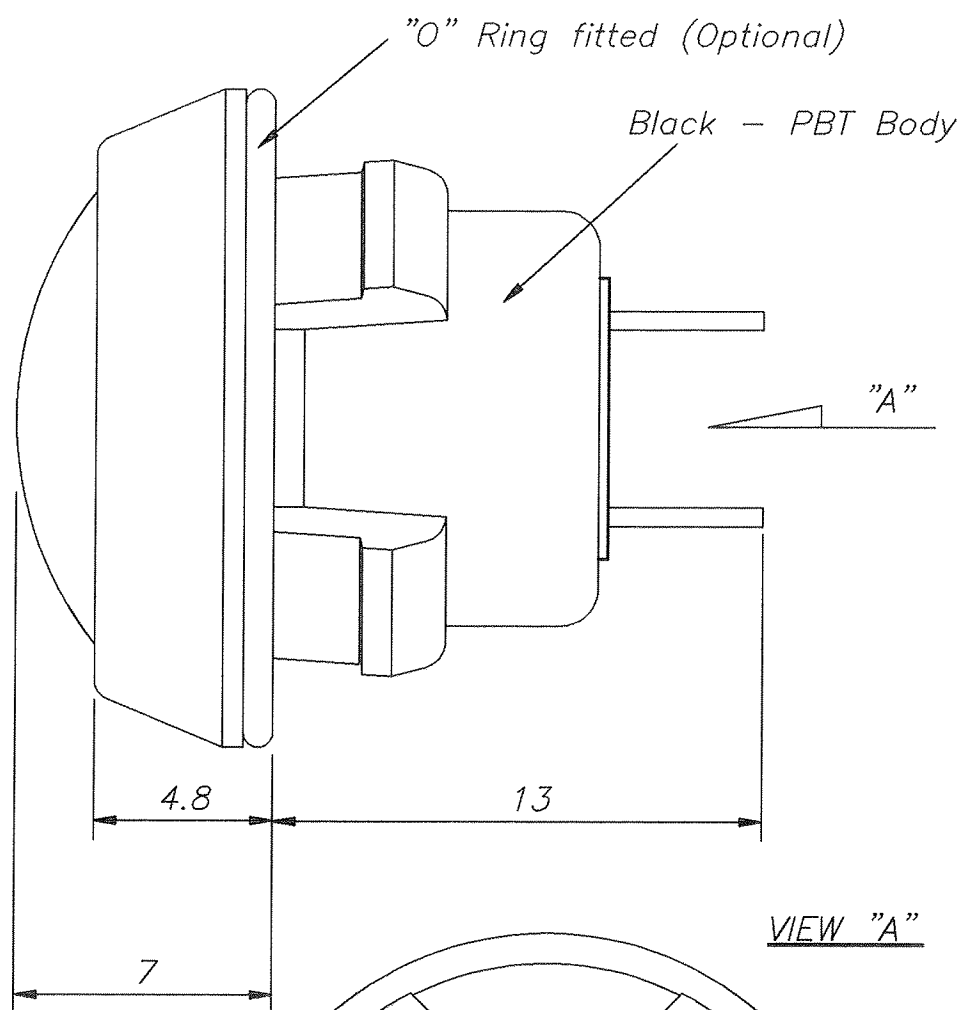
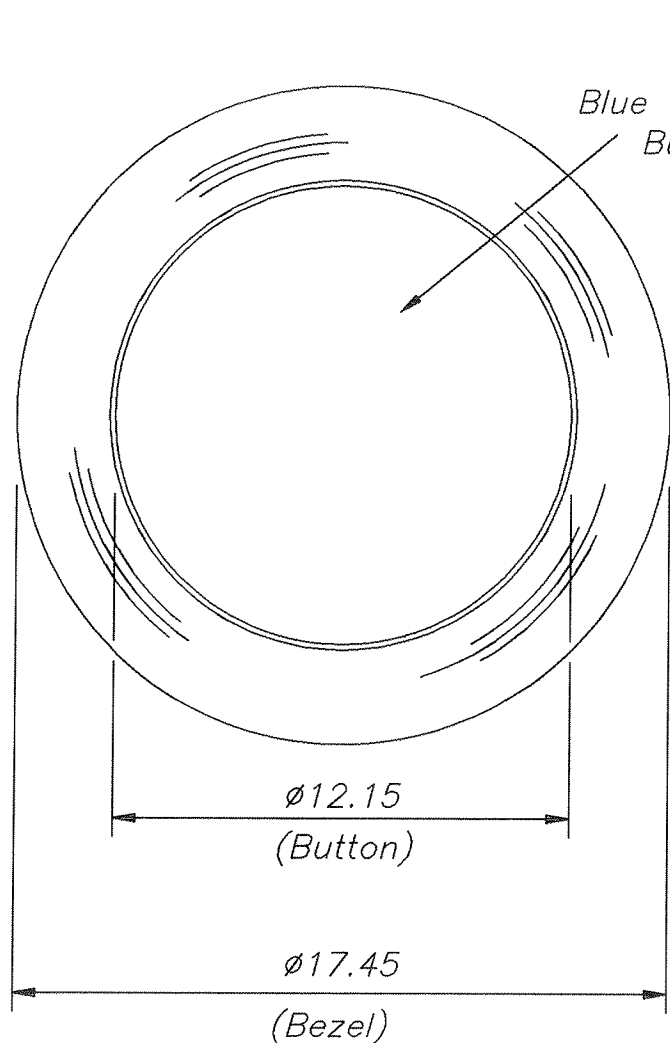
ROUGHNESS - 32 CLA  
 DIAMETERS TO BE CONCENTRIC WITHIN-  
 HOLD NORMAL AND PARALLEL FACES WITHIN-

REMOVE ALL BURRS AND BREAK ALL SHARP EDGES  
 DIMENSIONS ARE BEFORE PLATING OR FINISH

DRAWN IN ACCORDANCE WITH BS. 308.  
 THIRD ANGLE PROJECTION. DO NOT SCALE.  
 DIMENSIONS ARE IN MILLIMETRES.

DRAWING No.  
 59-900072

ISS.  
 A



SOLDER TERMINALS

MECHANICAL

TRAVEL (NOMINAL) : 2.3mm  
 LIFE (MINIMUM) : 1,000,000 CYCLES

OPERATING FORCE (NOMINAL): 3N

ENVIRONMENTAL & PHYSICAL

INGRESS PROTECTION : IP67  
 PANEL SEALING (SEE NOTE) : IPX3  
 PANEL THICKNESS WITH "O" RING : 2.7/ 2.5mm  
 PANEL THICKNESS WITHOUT "O" RING : 3.65/3.55mm

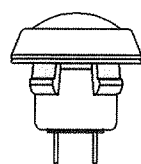
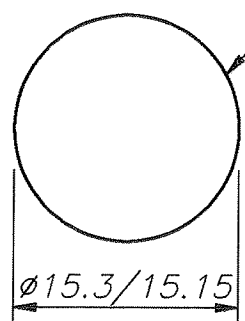
BUMP TEST (BS 2011:Part 2.1 Eb) : 40g  
 OPERATING TEMP : -40°/+105° C  
 CONTACTS : GOLD PLATED PALLADIUM NICKEL

ELECTRICAL (SWITCH ONLY)

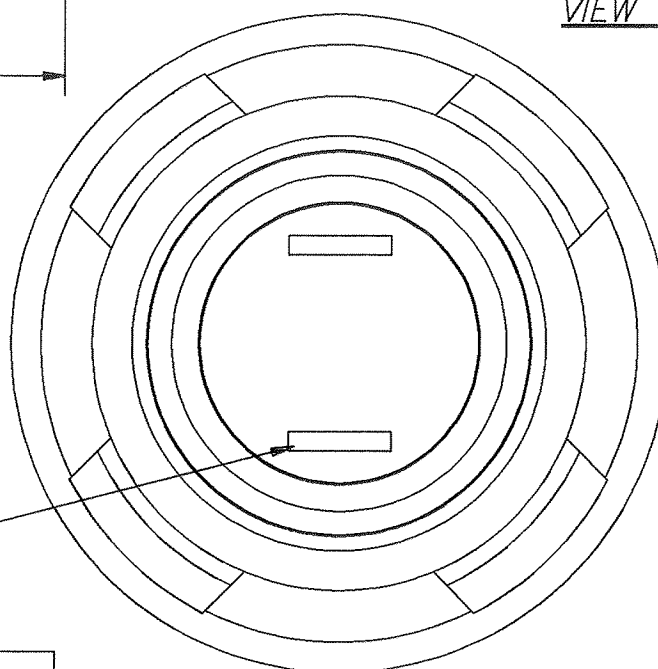
DIELECTRIC STRENGTH : 1000VAC  
 INSULATION RESISTANCE : 1GΩ  
 CONTACT RESISTANCE (INITIAL) : 50MΩ  
 CURRENT RATING:-  
 @ 32 VAC RESISTIVE : 400mA  
 @ 50 VDC RESISTIVE : 100mA  
 @ 125 VAC RESISTIVE : 125mA  
 LIFE (MINIMUM) : 500,000 CYCLES  
 SWITCHING POWER (MAXIMUM) : 16VA AC

NOTE  
 WITH "O" RING FITTED PANEL SEALING TO AT LEAST IPX3 WILL BE ACHIEVED, PROVIDED THE PANEL CUT OUT / THICKNESS TOLERANCES ARE MAINTAINED.

Panel Cut Out  
 (Scale 2:1)



ACTUAL SIZE



CAD SYSTEM No: 1 DIRECTORY NAME: 59-59ILL CAD DRAWING No: 599072TA

ISS.	CHANGE NOTE No.	DATE	DRAWN	ISS.	CHANGE NOTE No.	DATE	DRAWN
A	ECN86027	15.1.96	BV				

**ITW Switches**

Licon Switches, Chicago Switch. RC/UID Switches

© 1996

The Copyright in this drawing and in the article shown belongs to ITW Switches and no reproduction in whole or in part of the drawing or the articles shown may be made without prior written permission.

FINISH	MATERIAL & SPEC.						
	See BOM						
HEAT TREAT							
DRAWN	CHKD.	APPR.	SCALE	DATE	TITLE	DRAWING No.	ISS.
BV	RE	KB	5:1	15.1.96	Snap-in 59	59-900072	A

A3