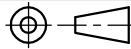


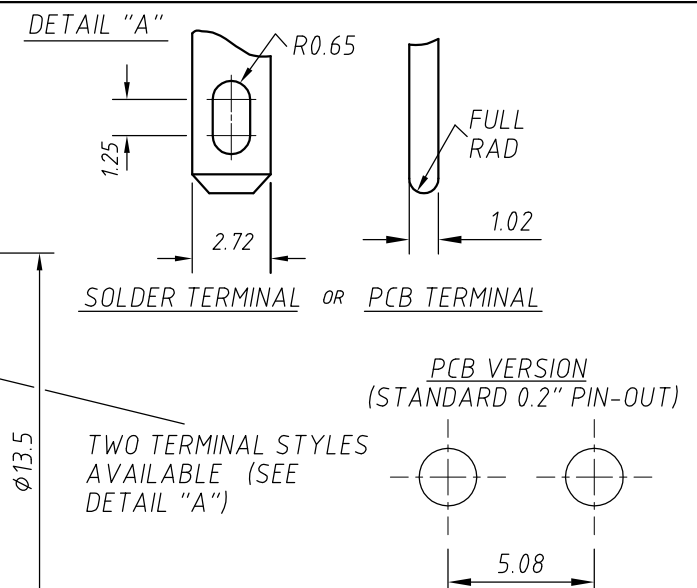
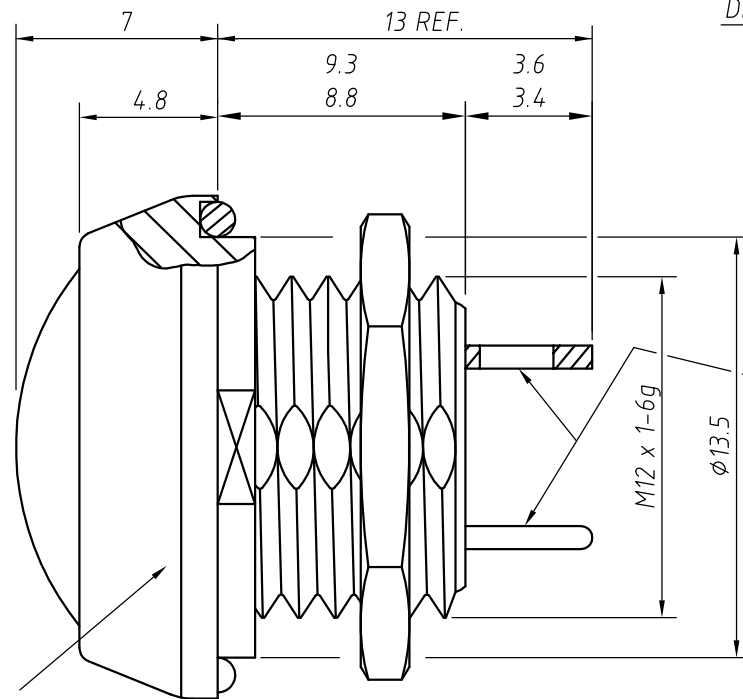
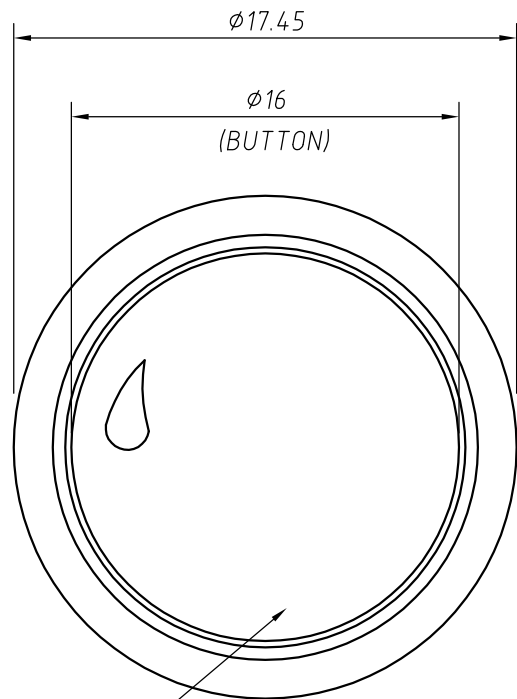
DRAWING No 59-1XX Sht. 1

DO NOT SCALE



DIMENSIONS IN MILLIMETRES  
THIRD ANGLE PROJECTION

CAD SYSTEM: . CAD FILE NAME: .



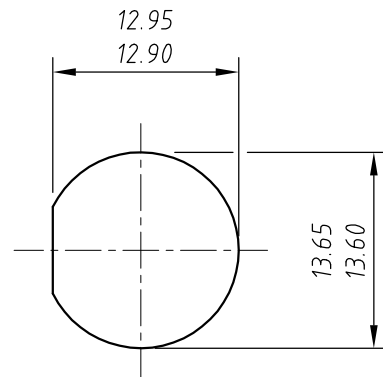
FINISHED: BLACK P.B.T..

BODY MATERIAL ZINC ALLOY  
TO BS1004A. FINISHED, BLACK P.T.F.E.

TWO TERMINAL STYLES  
AVAILABLE (SEE  
DETAIL "A")

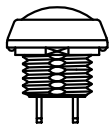
<b>ELECTRICAL</b>	
DIELECTRIC STRENGTH	1000VAC
INSULATION RESISTANCE	1G Ohms.
CONTACT RESISTANCE (INITIAL)	50m Ohms.
CURRENT RATING:-	
@ 32VAC RESISTIVE	400mA
@ 50VDC RESISTIVE	100mA
@ 125VAC RESISTIVE	125mA
LIFE (MINIMUM)	500,000 CYCLES
SWITCHING POWER (MAXIMUM)	16VA AC
<b>MECHANICAL</b>	
TRAVEL (NOMINAL)	2.3mm
LIFE (MINIMUM)	1,000,000 CYCLES
OPERATING FORCE (NOMINAL)	3N
<b>ENVIRONMENTAL &amp; PHYSICAL</b>	
INGRESS PROTECTION	IP67
SHOCK	100G
OPERATING TEMP RANGE	-55°C TO +125°C
CONTACTS	GOLD PLATED-NICKEL

SUGGESTED PANEL CUTOUT



ASSY No.	BUTTON	TERMINAL
59-111	BLACK	SOLDER
59-112	RED	SOLDER
59-113	GREEN	SOLDER
59-114	WHITE	SOLDER
59-115	YELLOW	SOLDER
59-116	BLUE	SOLDER
59-117	ORANGE	SOLDER
59-121	BLACK	PCB
59-122	RED	PCB
59-123	GREEN	PCB
59-124	WHITE	PCB
59-125	YELLOW	PCB
59-126	BLUE	PCB
59-127	ORANGE	PCB

ACTUAL SIZE



ISS	ECN	SIGN	DATE	ISS	ECN	SIGN	DATE
C	85374	PJS	14.9.92	.	.	.	.
D	85707	MH	28.3.94	.	.	.	.
E	85811	MH	19.9.94	.	.	.	.
F	85884	PS	14.3.95	.	.	.	.
G	87630	BV	7.10.05	.	.	.	.

NOTICE  
ALL RIGHTS RESERVED:  
UNAUTHORISED USE,  
DISCLOSURE OR  
REPRODUCTION OR  
WHOLE OR IN PART IS  
STRICTLY PROHIBITED.  
  
© 2005

**ITW Switches**  
**ITW Switchpanels**  
Norway Road  
Hilsea  
Portsmouth  
Hants PO3 5HT  
Tel: +44 (0)23 92 656200  
Fax: +44 (0)23 92 666352  
Internet: www.itwswitches.co.uk

STANDARD TOLERANCES  
NO PLACE DEC.  $\pm 0.5$   
1 PLACE DEC.  $\pm 0.2$   
2 PLACE DEC.  $\pm 0.1$   
DIAMETERS  $\pm 0.05$   
ANGULAR  $\pm 0.5^\circ$   
UNLESS OTHERWISE STATED  
SCALE: 5:1

MATERIAL  
FINISH

DRAWN	DATE	SIGN	DATE
PJS	14.9.92	.	.
TITLE MINIATURE SEALED ROUND BEZEL P/B TL.			
DRAWING No 59-1XX Sht. 1			A3