

H G F E D C B A

4

3

2

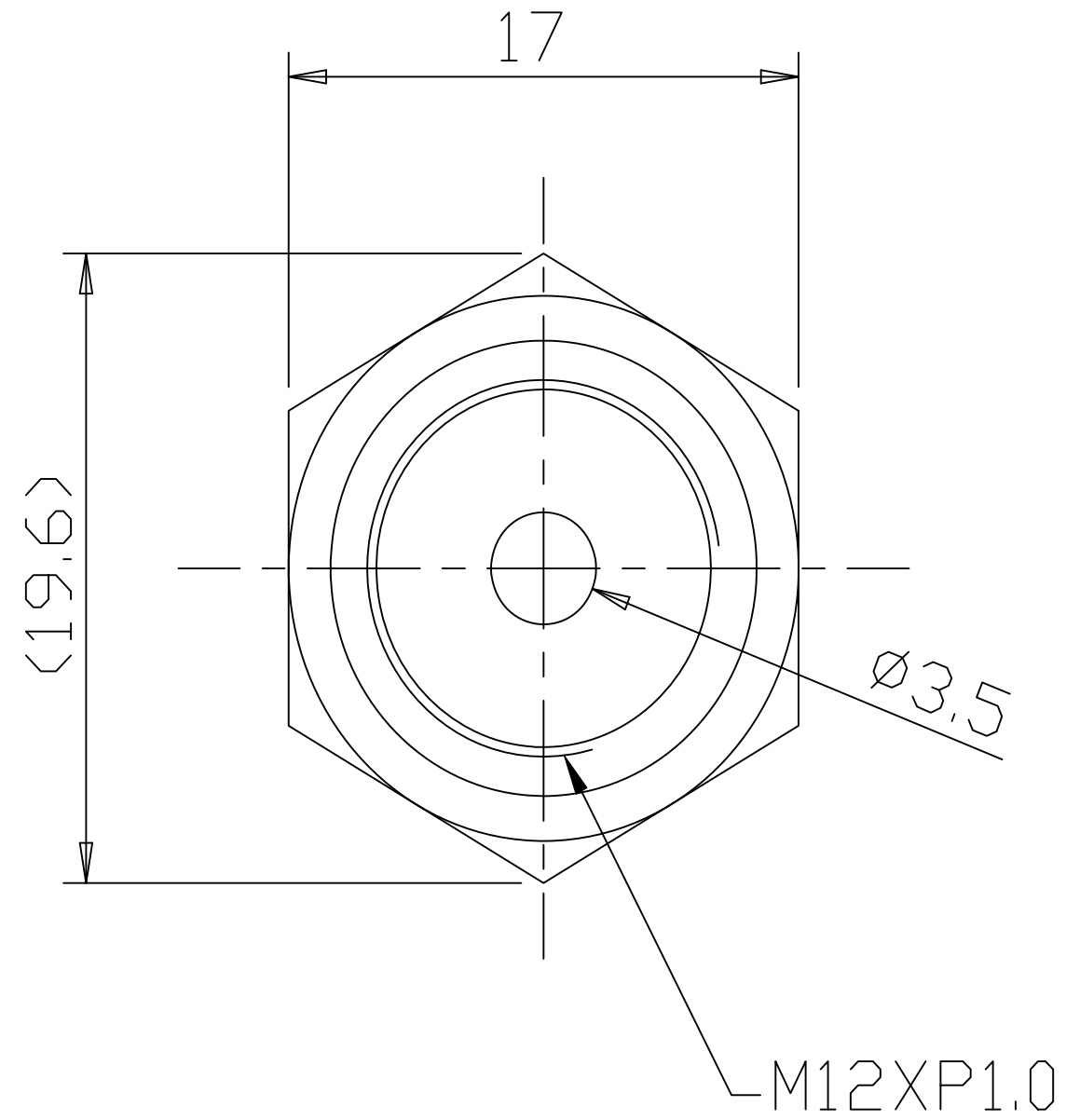
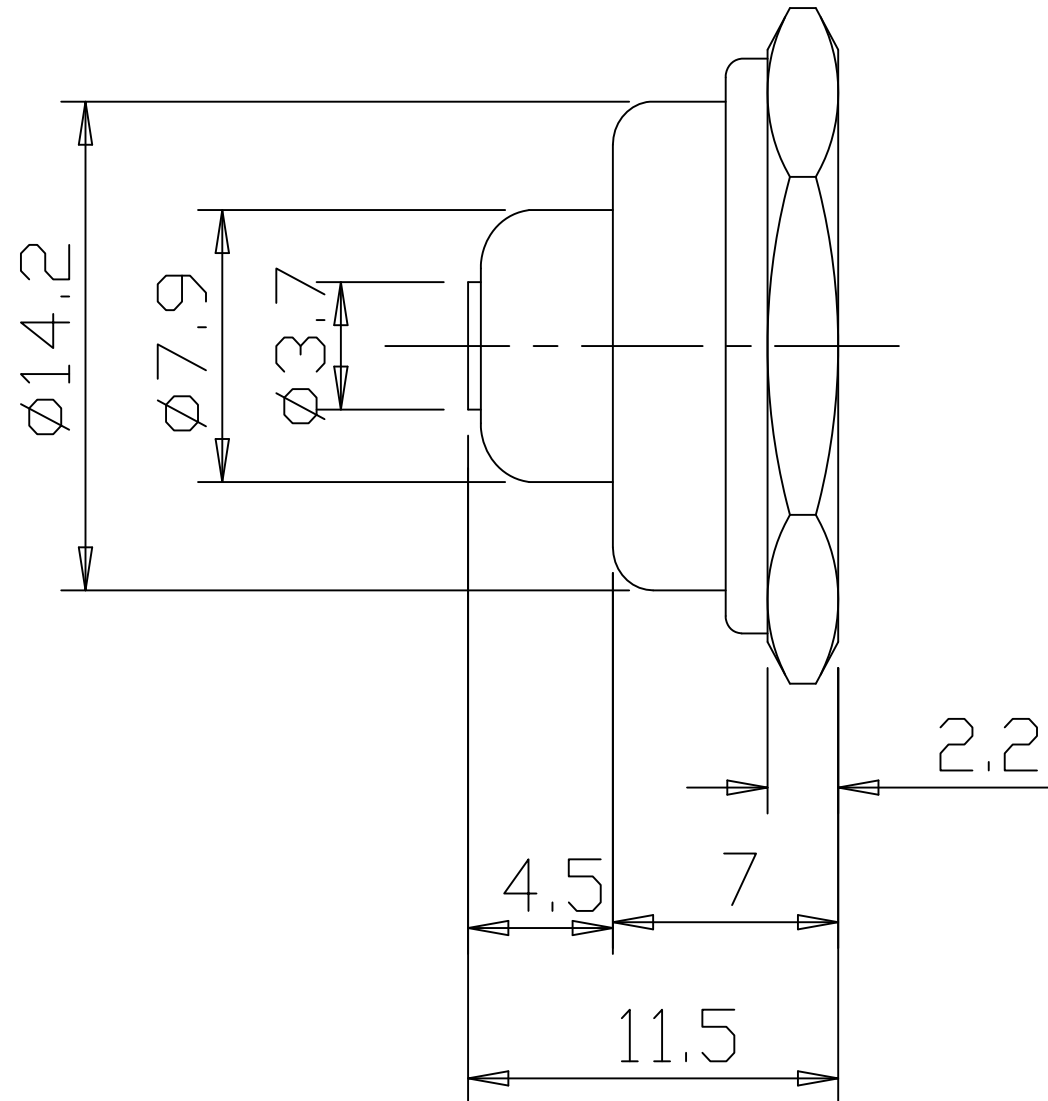
1

4

3

2

1



date 07/05/2015



black silicon rubber protection cap for 87 series, metric system

87CAP2APG

tolerances : 0.5 - 6 mm ±0.2mm
6 - 30 mm ±0.4mm

all modifications possible without prior consent

Révision:

B

Folio :

1/1

Echelle :

Famille:

XXX

Format:

A3

H G B A