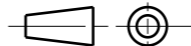
	black silicon rubber protection cap for 87 series	Révision: B
date 04/05/2015	87CAP1K	Folio : 1/1
	tolerances : 0.5 - 6 mm ±0.2mm 6 - 30 mm ±0.4mm ----- all modifications possible without prior consent	Echelle : Famille: XXX Format: A3