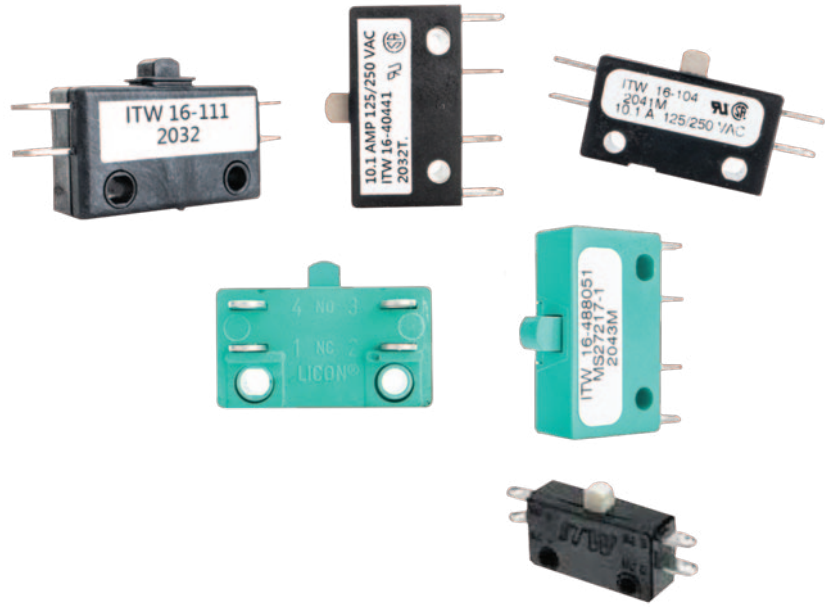


SUB-MINIATURE 10.1 AMP DOUBLE-BREAK SNAP ACTION SWITCHES

The series 16 microswitch utilizes the Butterfly™ action for high integrity switching in a compact size. This switch has a wide range of options, including contact material, different terminals and a choice of housing materials. Using the Form Z switch circuitry, this switch can be used to control two circuits. Various actuators are available for these switches.



APPLICATIONS:

- Seat switch
- Aircraft contactor
- Battery switching and back-up
- Pump floats
- Bus and rail door controls

KEY FEATURES:

- Gold or silver contacts
- Meets MIL-PRF-8805/7
- UL recognized and CSA certified: 10.1 amps@ 125/250 VAC
- Variety of terminal configurations and styles
- Roller lever, lever, short roller lever and bushing mount actuator are available

ORDERING INFORMATION:

Part Number	Max AC Current	Max DC Current	Contacts	Terminals	Temperature Range
16-104	10A	10A	Silver **	End Solder	-54°C to +135°C (-65°F to +275°F)
16-110*	10A	10A	Silver **	End Solder	-55°C to +125°C (-67°F to +257°F)
16-111*	10A	10A	Silver **	Solder	-55°C to +125°C (-67°F to +257°F)
16-188051 ^s	10A	7.5A	Gold Plated	End Solder	-54°C to +135°C (-65°F to +275°F)
16-204	10A	10A	Silver **	End Screw	-54°C to +125°C (-65°F to +275°F)
16-304	10A	10A	Silver **	Side Solder	-54°C to +135°C (-65°F to +275°F)
16-388051 ^s	10A	10A	Gold Plated	Solder	-65°C to +125°C (-85°F to +257°F)
16-404	10A	10A	Silver **	Bottom Solder	-54°C to +135°C (-65°F to +275°F)
16-40401	10A	10A	Gold Plated	Bottom Solder	-54°C to +135°C (-65°F to +275°F)
16-4044 [#]	10A	10A	Silver **	Bottom Solder	-54°C to +130°C (-65°F to +266°F)
16-40441 [#]	10A	10A	Gold Plated	Bottom Solder	-54°C to +130°C (-65°F to +266°F)
16-410*	5A	7.5A	Enhanced Gold	Bottom Solder	-55°C to +125°C (-67°F to +257°F)
16-439088 ^s	10A	5A	Silver **	Quick Connect	-54°C to +135°C (-65°F to +275°F)
16-439141	10A	6A	Gold Plated	Solder	-54°C to +135°C (-65°F to +275°F)
16-488051	7.5A	10A	Gold Plated	Bottom Solder	-65°C to +125°C (-85°F to +257°F)
16-530004 ^{***}	10A	10A	Silver **	Quick Connect	-54°C to +130°C (-65°F to +266°F)
16-530077	10A	10A	Silver **	Quick Connect	-54°C to +135°C (-65°F to +275°F)

* Thermoplastic case and cover. ** For electrical loads under 250mA, consult factory. *** Mounts easily to Series 76-95 Switches.

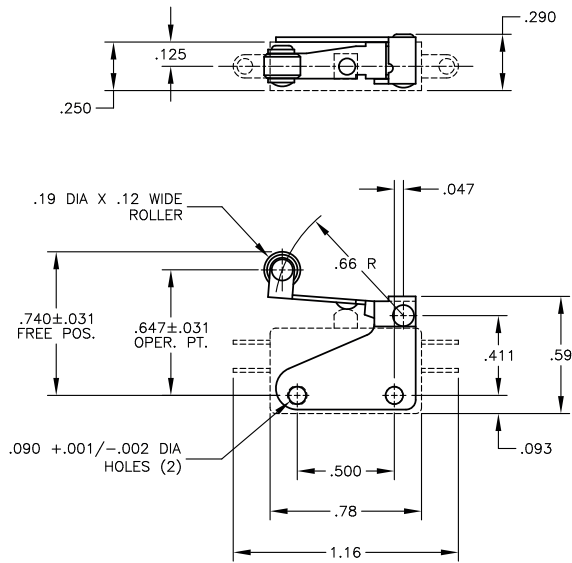
UL approval limits the max temperature. \$ Part are MIL QPL Rated, see table for specification

ACTUATORS

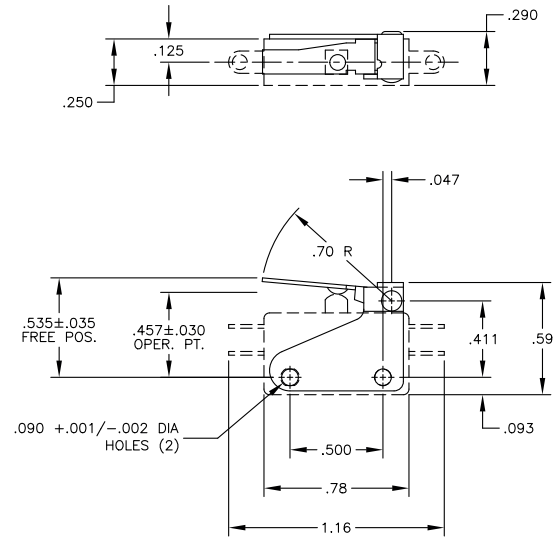
Part Number	Oper. Force	Release Force	Pretravel	Overtravel	Movement Diff.
76-1200 Roller Lever	4 oz max	1 oz min	.125 max	.025 min	.045±.011
76-1210 Lever	2.5 oz max	1 oz min	.125 max	.025 min	.047 ± .013
76-1220 Short Roller Lever	5 + 3 oz - 2 oz min	2 oz min	.050 max	.023 min	.020 ± .005
76-22604 Bushing Mount	5 oz	-	.050 max	.156 min	-

ACTUATORS

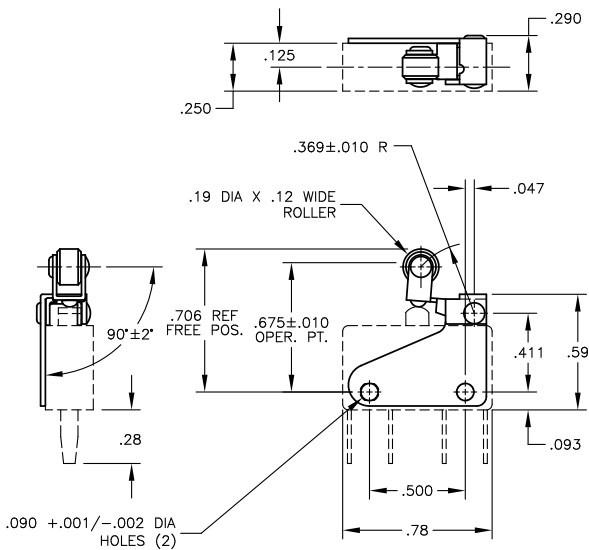
76-1200



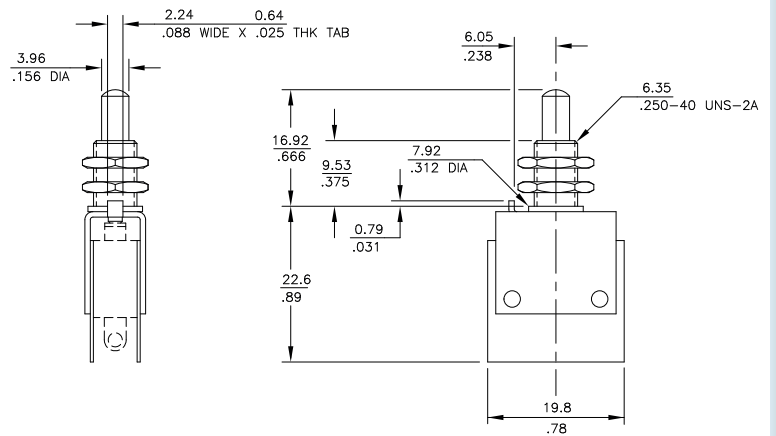
76-1210



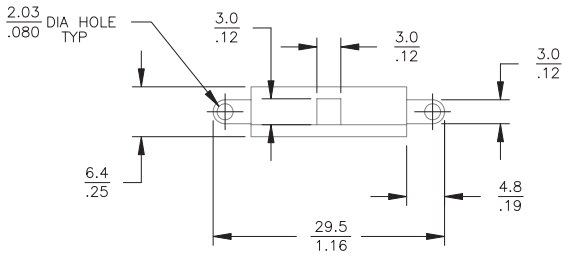
76-1220



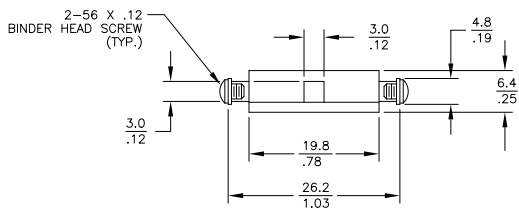
76-22604



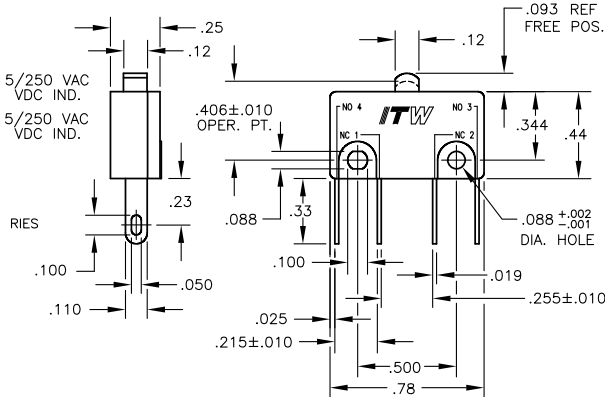
END SOLDER



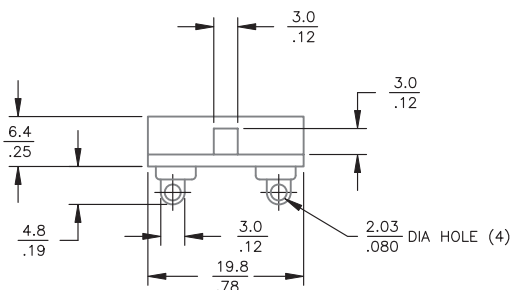
END SCREW



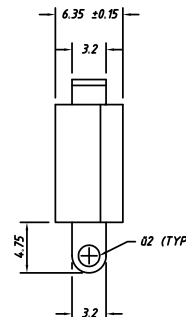
QUICK CONNECT



SIDE SOLDER



BOTTOM SOLDER



MECHANICAL / ELECTRICAL / ENVIRONMENTAL CHARACTERISTICS:

Pretravel:
0.050 inches max

Overtravel:
0.012 inches min

Operating Force:
5 oz + 3 oz - 2 oz

Release Force:
1 oz min

Movement Differential:
0.020 inches ± 0.005

Operating Point:
0.406 inches ± 0.010
(from mounting hold centers)

Circuit:
SPDT-DB (Form Z)

Electrical Rating @ 28VDC:

		Sea Level	70,000 Feet
Form Z 2 Circuit	Res	10A	10A
	Ind*	5A	2A
	Lamp	3A	—

*L/R = .026

MIL-PRF-8805II QPL listed:

16-188051 MS25476-1

16-388051 MS27217-2

16-488051 MS27217-1

Load	Sea Level				70,000 Feet	
	28VDC NO/NC 2 CIRC	28VDC 2 CIRC	115VAC 60Hz NO/NC 2 CIRC	115VAC 60Hz 2 CIRC	28VDC NO/NC 2 CIRC	28VDC 2 CIRC
RES	10A	10A	7.5A	5A	10A	10A
IND.	7.5A	5A	5A	5A	3.5A	2A
LAMP	4A	3A	3A	1.5A	-	-