

H48M- X X X X XX

SWITCH FUNCTION CODE	SWITCH FUNCTION DESCRIPTION	HOUSING MATERIAL CODE	HOUSING DESCRIPTION	ILLU. TYPE CODE	ILLUMINATION TYPE DESCRIPTION	LED COLOR CODE	LED COLOR	LED INLET VOLTAGE CODE	LED INLET VOLTAGE
1	MECHANICAL, MOMENTARY	1	STAINLESS STEEL	0	NON.-LIT.	N	NONE	--	(SEE NOTE)
2	MECHANICAL, MAINTAINED	2	ZINC ALLOY, VELOUR CHROME PLATED	1	CENTER SPOT ILLUMINATION	G	GREEN	05	5V
				2	RING ILLUMINATION	R	RED	12	12V
				3	POWER/STANDBY SYMBOL ILLUMINATION	A	AMBER	24	24V
						B	BLUE		
						W	WHITE		
						Y	YELLOW		

REVISIONS			
REV	DESCRIPTION	DATE	APPROVED
1	SALES DRAWING	06, APR., 10'	A.H.
2	ADD THE MEASURING POSITION	04, JAN., 11'	Y.W.
3	CHANGE THE FEATURE OF NUT, MODIFY THE LIFE AND ENVIRONMENTAL SPECIFICATION	06, AUG., 11'	Y.W.

MECHANICAL CHARACTERISTICS:
 SWITCH CIRCUITRY: SPDT-DB
 SWITCH ACTION: MOMENTARY AND MAINTAINED (PER CHART)
 OPERATING FORCE: 12 oz NOMINAL (WITHOUT T16 SWITCH)
 PANEL THICKNESS: .050 - .150 [1.3 - 3.8mm]
 OTHERS: REFER TO ITW SWITCHES 16 SERIES Δ 3
 NUT TORQUE FORCE: MAX 10 LB/in [11.5 kgf/cm]

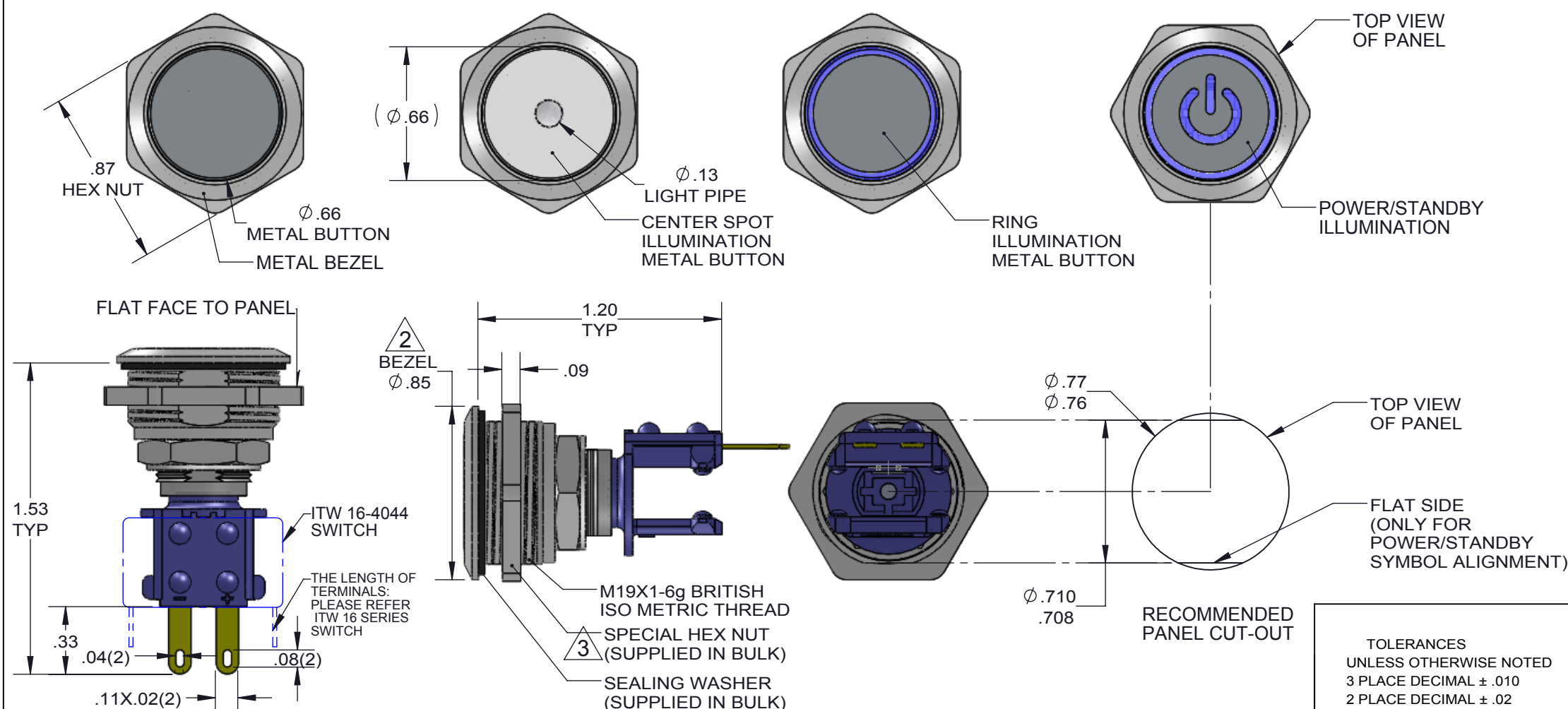
ENVIRONMENTAL SPECIFICATIONS:
 ACTUATOR INGRESS PROTECTION: IP67
 OPERATING TEMPERATURE: -40°F to +149°F [-40°C to +65°C] Δ 3

ELECTRICAL SPECIFICATIONS:
 (REFER TO ITW SWITCHES 16 SERIES)

LED SPECIFICATIONS:
 CONTINUOUS FORWARD CURRENT, TYP: 20 mA
 CONTINUOUS FORWARD CURRENT, MAX: 30 mA

ACTUATOR LIFE:
 MOMENTARY: 500,000 CYCLES NOMINAL Δ 3
 MAINTAINED: 40,000 CYCLES NOMINAL

NOTE:
 1. CURRENT LIMITING RESISTOR IS REQUIRED TO LIMIT LED FORWARD CURRENT TO 20mA
 2. LED FORWARD VOLTAGE:
 RED, AMBER, YELLOW :2V; GREEN, BLUE AND WHITE: 3.4V



This document is the intellectual property of ITW Electronic Business Asia Co., Limited and may contain confidential, proprietary, privileged information protected by law. Neither this document nor any information it contains can be reproduced, transformed to any other format, or distributed, without written permission by ITW Electronic Business Asia Co., Limited.
 本文件為安天德百電股份有限公司之智慧財產，非經許可不得擷取、複製、轉變成其他形式使用或散佈

RoHS Compliant		TOLERANCES UNLESS OTHERWISE NOTED 3 PLACE DECIMAL ± .010 2 PLACE DECIMAL ± .02 ANGULAR ± 1/2°		AN ILLINOIS TOOL WORKS COMPANY	
Yes	No	DATE 26 MAY, 09'		DWG TITLE H48M- MECHANICAL, MOMENTARY/MAINTAINED, NONE ILLUMINATION/ILLUMINATION	
✓		REF: 48M-1~48M-2	DATE 26 MAY, 09'	SIZE B	DWG NO. H48M-1, H48M-2
		DRAWN Y.W.	CHK M.C.	APP'D C.C.	SUPV P.L.
				SCALE : 3:2	SHEET 1 OF 1
					REV 3