

## Series 26

### SUB-MINIATURE 8 AMP DOUBLE POLE SNAP ACTION SWITCHES

This unique design has a DPDT-DB (Form ZZ) contact arrangement, or can be wired externally to provide two commons to form standard DPDT (Form CC) circuitry. This switch can control up to 4 isolated circuits.



#### APPLICATIONS:

- Aircraft rotary actuator
- Aircraft valve actuator
- Circuit breakers
- Aircraft contractors
- Industrial machinery

#### KEY FEATURES:

- Gold or silver contacts
- Meets MIL-PRF-8805/77
- End or side terminals available
- UL recognized and CSA certified: 8 amps @ 125/250 VAC
- Roller lever, lever, short roller lever and bushing mount actuator are available

ACTUAL SIZE ACTUAL SIZE

#### ORDERING INFORMATION:

##### Switches

Part Number	Simultaneity	Contacts	Terminals	RoHS Compliant
<b>26-804</b>	Simultaneous*	Silver**	End Solder	✓
<b>26-888051</b>	Ref. M8805/77-001	Gold Plated	End Solder	—
<b>26-904</b>	Simultaneous*	Silver**	Side Solder	✓
<b>26-988051</b>	Ref. M8805/77-002	Gold Plated	Side Solder	—

\* Within .004" of plunger travel.  
 \*\* For electrical loads under 250 mA, consult factory.

##### Actuator (see page 85 for additional specifications)

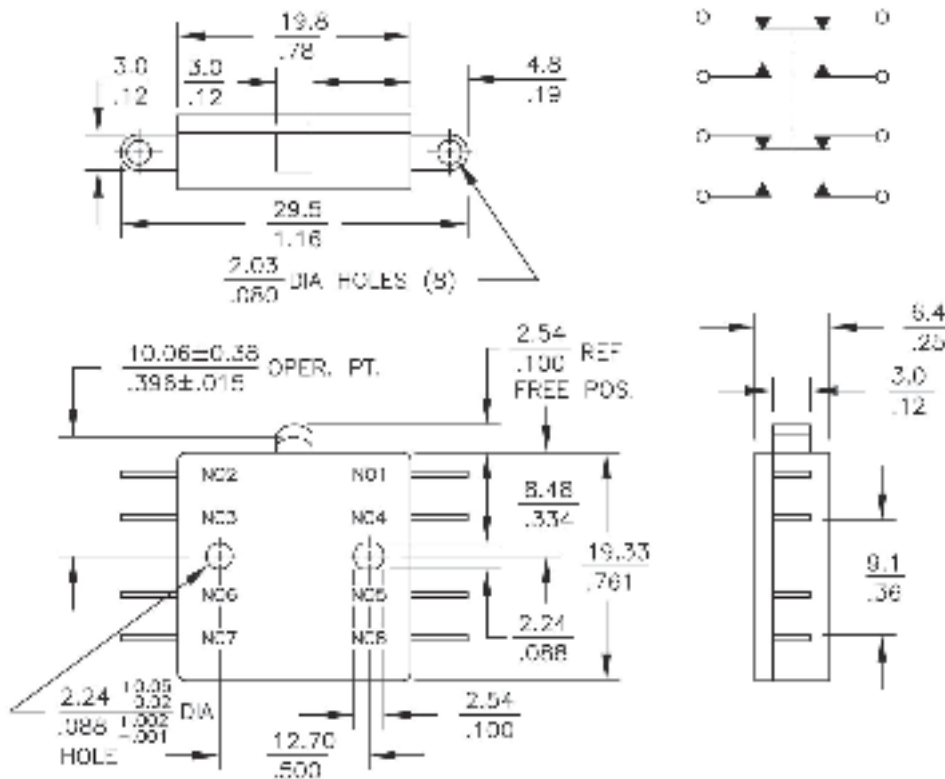
Part Number	Switch Series	Oper. Force	Release Force	Pretravel	Overtravel	Movement Diff.
<b>76-1200</b> Roller Lever	26	8 oz max	1 1/2 oz min	.130 max	.026 min	.054 ± .022
<b>76-1210</b> Lever	26	7 oz max	2 oz min	.155 max	.025 min	.065 max
<b>76-1220</b> Short Roller Lever	26	16 oz max	5 oz min	.050 max	.012 min	.020 ± .010 - .005
<b>76-22604</b> Bushing Mount	16	5 oz	—	.050 max	.156 min	—

#### STANDARDS / AGENCY / RATINGS:

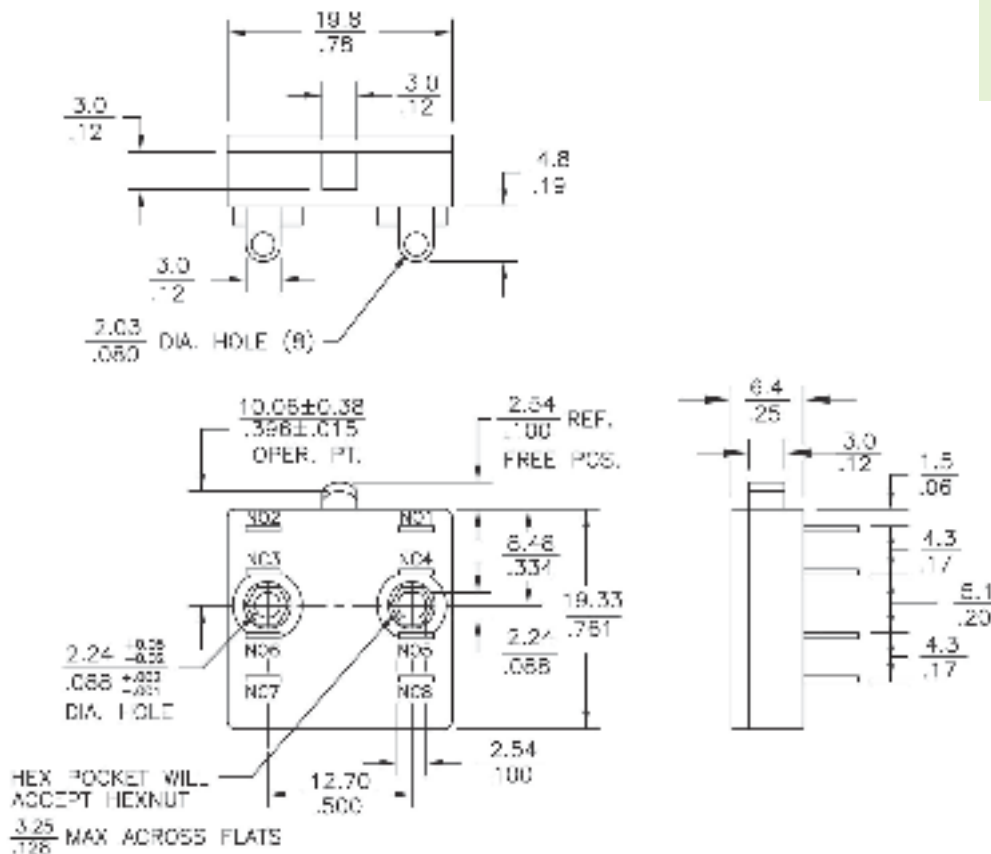


## SERIES 26: SUB-MINIATURE 8 AMP DOUBLE POLE

### END SOLDER



### SIDE SOLDER



### MECHANICAL / ELECTRICAL CHARACTERISTICS:

#### Pretravel:

0.050 inches (Max)

#### Overtravel:

0.012 inches (Min)

#### Operating Force:

12 ± 4 oz

#### Release Force:

5 oz (Min)

#### Movement Differential:

0.020 inches ± .010 / .005

#### Operating Point:

0.396 inches ± .015

(from mounting hole centers)

#### Circuit:

DPDT-DB (Form ZZ)

#### Temperature Index:

To 275°F Ambient

#### MIL-PRF-8805/7 QPL listed:

26-888051 M8805/77-001

26-988051 M8805/77-002

#### Electrical Ratings:

Circuitry	Current	Voltage
DPDT-DB	8 Amps	125/250 VAC 75-80% PF
(Form ZZ)	5 Amps	28 VDC