

## SUB-MINIATURE 10.1 AMP DOUBLE-BREAK SNAP ACTION SWITCHES

Series 16 switches feature the Butterfly® double-break momentary switch mechanism. This offers the capability of handling high (or low) current loads in a small switch and gives the options of controlling two circuits with the Form Z switch circuitry.

### APPLICATIONS:

- Lift truck seat switch
- Aircraft contactor or actuator
- Sump pump float switch
- Valve actuator
- Industrial equipment and machinery
- Office equipment

### KEY FEATURES:

- Gold or silver contacts
- Meets MIL-PRF-8805/7
- UL recognized and CSA certified: 10.1 amps @ 125/250 VAC
- Variety of terminal configurations and styles
- Roller lever, lever, short roller lever and bushing mount actuator are available

# Series 16



ACTUAL SIZE

### ORDERING INFORMATION:

Part Number	Circuit	Temperature Index	Contacts	Terminals	RoHS Compliant
16-104	SPDT (Form Z)	To 275°F Ambient	Silver **	End Solder	✓
16-188051	SPDT (Form Z)	To 275°F Ambient	Gold Plated	End Solder	✓
16-204	SPDT (Form Z)	To 275°F Ambient	Silver **	End Screw	—
16-304	SPDT (Form Z)	To 275°F Ambient	Silver **	Side Solder	✓
16-404	SPDT (Form Z)	To 275°F Ambient	Silver **	Bottom Solder	✓
16-40401	SPDT (Form Z)	To 275°F Ambient	Gold Plated	Bottom Solder	✓
16-4044*	SPDT (Form Z)	To 275°F Ambient	Silver **	Bottom Solder	✓
16-40441*	SPDT (Form Z)	To 275°F Ambient	Gold Plated	Bottom Solder	✓
16-488051	SPDT (Form Z)	To 275°F Ambient	Gold Plated	Bottom Solder	—
16-530004***	SPDT (Form Z)	To 275°F Ambient	Silver **	Bottom QC .110	✓

\* Thermoplastic case and cover.

\*\* For electrical loads under 250mA, consult factory.

\*\*\* Mounts easily to Series 76-95 Switches.

### Actuators (see page 67 for additional specifications)

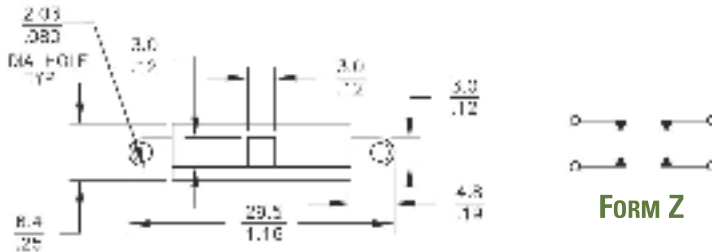
Part Number	Switch Series	Oper. Force	Release Force	Pretravel	Overtravel	Movement Diff.
76-1200 Roller Lever	16	4 oz max	1 oz min	.125 max	.025 min	.045 ± .011
76-1210 Lever	16	2.5 oz max	1 oz min	.125 max	.025 min	.047 ± .013
76-1220 Short Roller Lever	16	5 + 3 oz - 2 oz min	2 oz min	.050 max	.023 min	.020 ± .005
76-22604 Bushing Mount	16	5 oz	—	.050 max	.156 MIN	—

### STANDARDS / AGENCY / RATINGS:

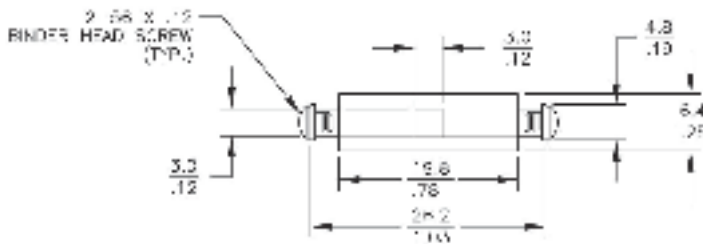


## SERIES 16: SUB-MINIATURE 10.1 AMP DOUBLE-BREAK

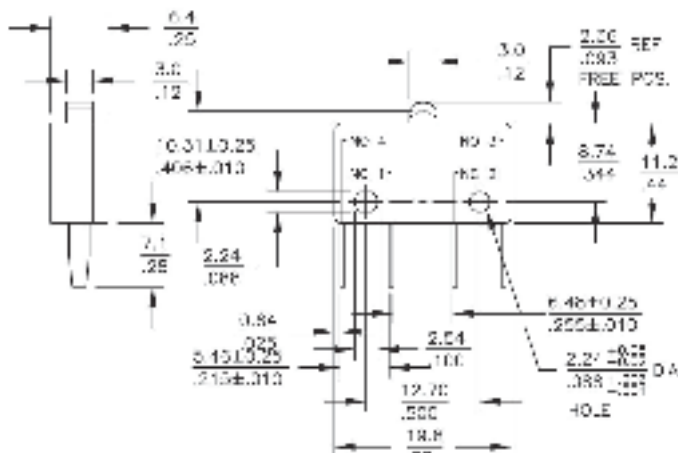
### END SOLDER



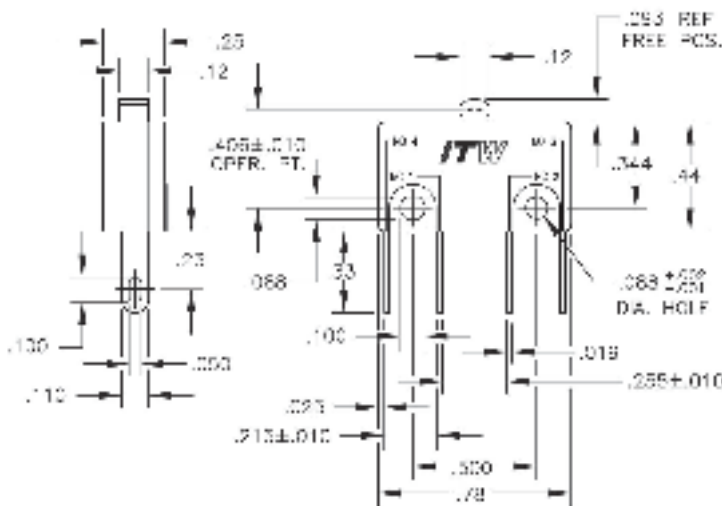
### END SCREW



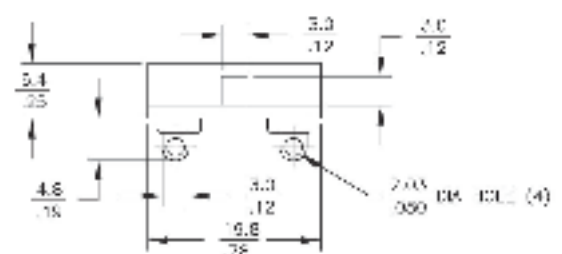
### QC TAPER TAB



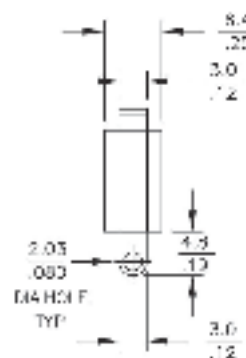
### BOTTOM QC .110



### SIDE SOLDER



### BOTTOM SOLDER



### MECHANICAL / ELECTRICAL CHARACTERISTICS:

#### Pretravel:

0.050 inches max

#### Overtravel:

0.012 inches min

#### Operating Force:

5 oz + 3 oz - 2 oz

#### Release Force:

2 oz min

#### Movement Differential:

0.020 inches ± 0.005

#### Operating Point:

0.406 inches ± 0.010

(from mounting hold centers)

#### Circuit:

SPDT-DB (Form Z)

#### Temperature Index:

-54°C to +135°C

(-65°F to +275°F)

#### MIL-PRF-8805/7 QPL listed:

16-188051 MS25476-1

16-488051 MS27217-1

#### Electrical Rating @ 28VDC:

		Sea Level	70,000 Feet
Form Z 2 Circuit	Res	10A	10A
	Ind*	5A	2A
	Lamp	3A	—

\*L/R = .026