

miniature pushbuttons • Ø13.6mm • illumination

## DISTINCTIVE FEATURES

design compact reconnu

**IP67 & IP68**

Illuminated versions

momentary or latched

extra-long lifecycle

specific wiring

specific marking



## ELECTRICAL SPECIFICATIONS

Max current with resistive load :

Plastic body, momentary :

400mA @ 32Vac • 100mA @ 50 Vdc • 125mA @ 125 Vac

Metal body, momentary :

500mA @ 48 Vac • 200mA @ 50 Vdc • 200mA @ 250 Vac

Plastic body, latched :

2A @ 125 Vac • 100mA @ 24Vdc

Electrical lifecycle :

Momentary : 500.000 cycles at full load

Latched : 200.000 cycles (100mA) • 10.000 cycles (2A)

Contact type : NO or NC

Initial contact resistance : 50mΩ max

Insulation resistance : 1 GΩ mini, DC500V

Dielectric strength :

Plastic body 1000 Vac rms • Metal body 1500 Vac rms

LED typical power supply (@20mA) : see *Build Your Part Number* section

LED typical lifecycle : 40.000 hours

## ENVIRONMENTAL SPECIFICATIONS

Operating temperature : -30°C to +85°C

Ingress protection : IP67 (SOAT12) • IP68 (SOAT68)

Compliant with IEC60947-5-1

## MECHANICAL SPECIFICATIONS

Actuation force : from 2 to 5 Newtons

Travel : 1.5 mm

Contact bounce : 10ms

Mechanical lifecycle : 1.000.000 cycles

Materials :

Contact base : P.C.

Contact : gold plated silver

Body : diallyl phthalate (DAP UL94v0) • Zinc-Alloy

Key : polyamid 6/6 (PA66)

Solder terminals : gold plated copper

Wires : stranded AWG20, 0.6mm<sup>2</sup> UL approved

Torque applied to nut :

Plastic body : 0.5Nm

Metal body : 1.5Nm

## GENERAL SPECIFICATIONS

Typical drilling diameter : 13.6 mm

Panel thickness :

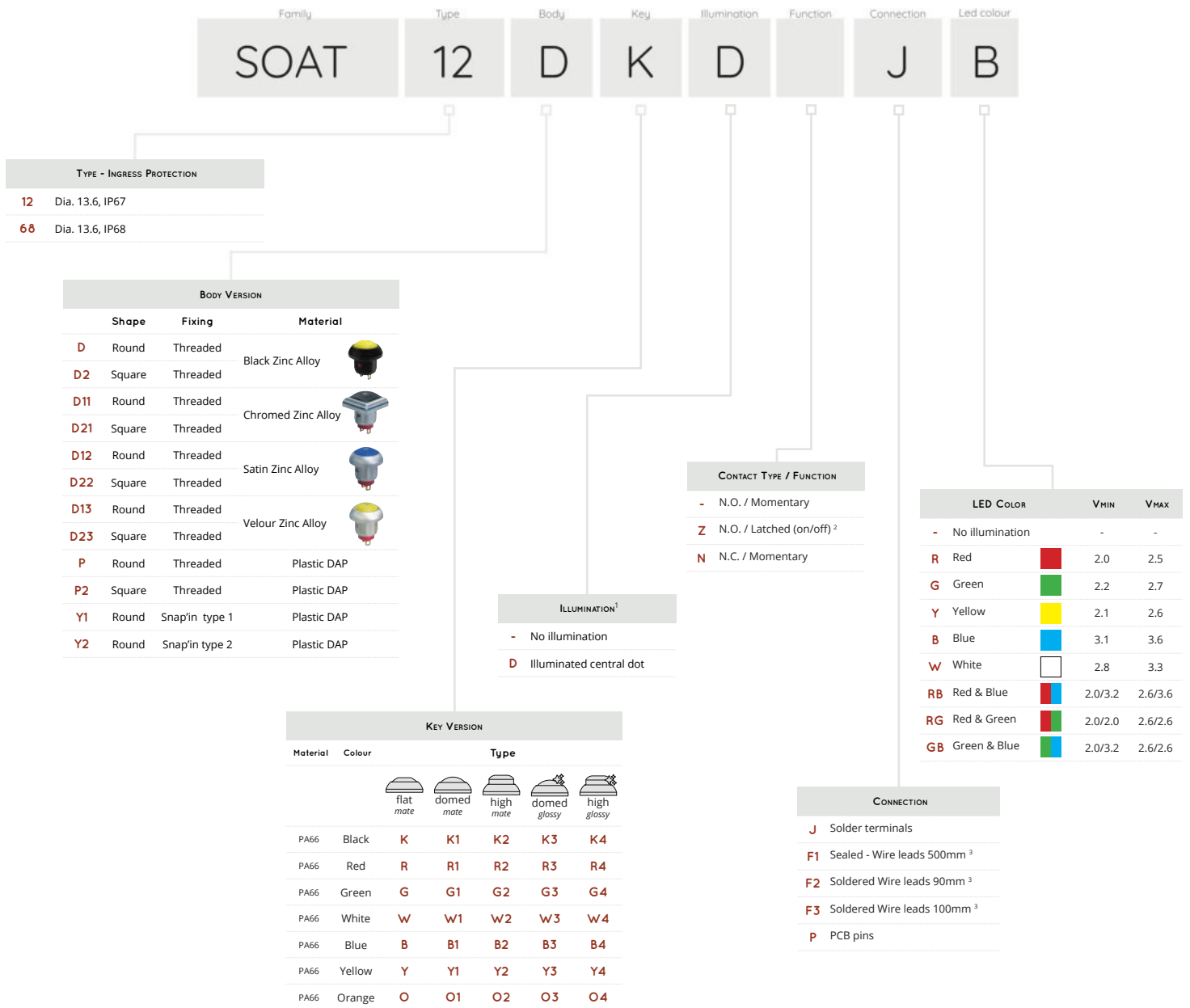
Snap-in Y1 body : 0.8 mm ~ 1.8 mm

Snap-in Y2 body : 3 mm, ±0.25mm

Threaded body: 1.5 mm ~ 4 mm

Soldering profile : 300°C max. during 5 seconds max.

## BUILD YOUR PART NUMBER



## ABOUT THIS RANGE

<sup>1</sup> Illumination only available for IP67 version with flat button.

<sup>2</sup> NO Latched version only available with plastic body.

<sup>3</sup> Wire leads versions fully customisable on request.

Our pushbuttons are supplied with their hex nut and washer.

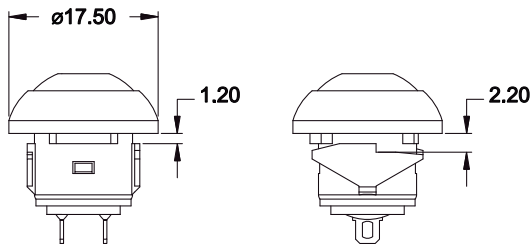
 **Some configurations might not be available or submitted to M.O.Q.**

FOR ALL YOUR SPECIFIC REQUESTS, PLEASE WRITE :  
SALES@KYNOPPE.COM

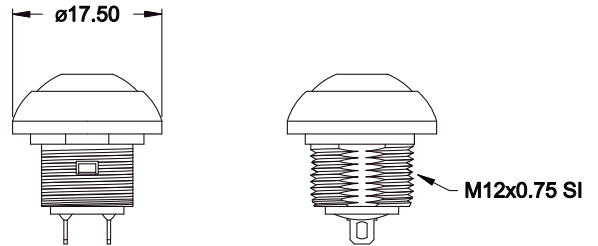
## BUILD YOUR PART NUMBER - DETAILS

### BODY VERSIONS

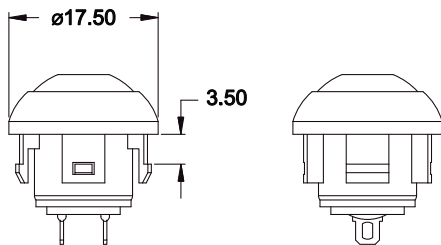
**Y1** Snap'in 1 Plastic DAP (round)



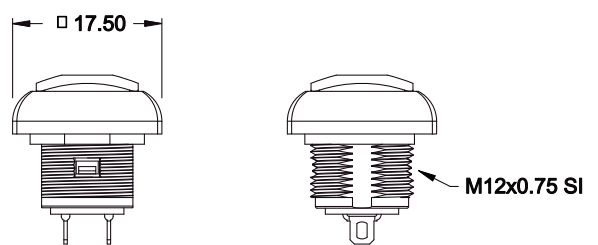
**N // D / P** Threaded, round



**Y2** Snap'in 2 Plastic DAP (round)

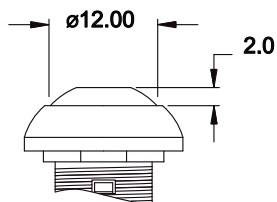


**D2 / P2** Threaded, squared

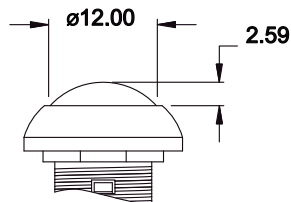


### BUTTON VERSIONS

Flat button

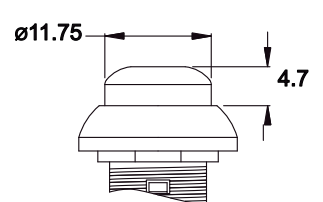


Domed button



only available with bodies D, P, S, S2

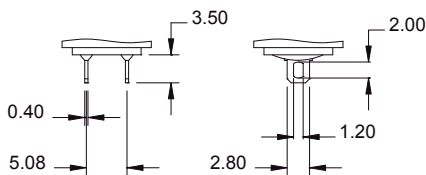
High round button



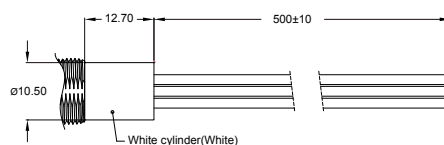
only available with bodies D, P

### CONNECTION OPTIONS

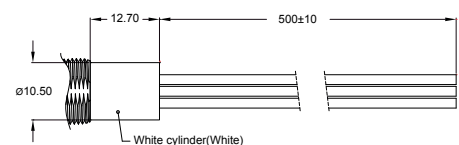
**J** Solder Terminals



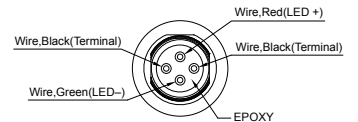
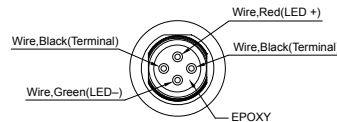
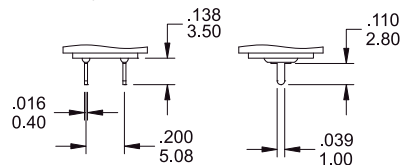
**F1** Wire leads 500mm



**F2 / F3** Wire leads 90mm & 100mm



**P** PCB pins



Multi-wire lead AWG20, section 0.6mm<sup>2</sup>, UL approved. (Black / Green / Red)

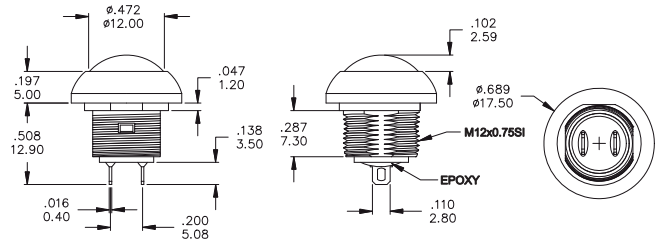
## CONFIGURATION EXAMPLES

### NO ILLUMINATION - NO - MOMENTARY



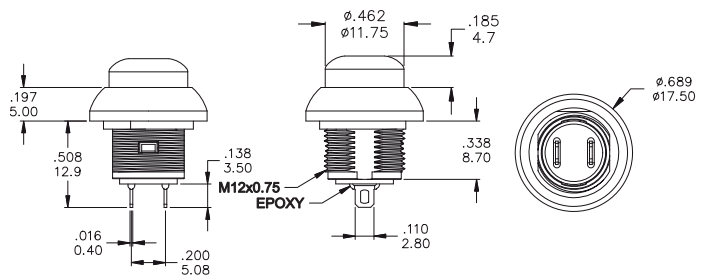
#### SOAT68PK3J

IP68, Glossy PA66 key, black body, solder terminals



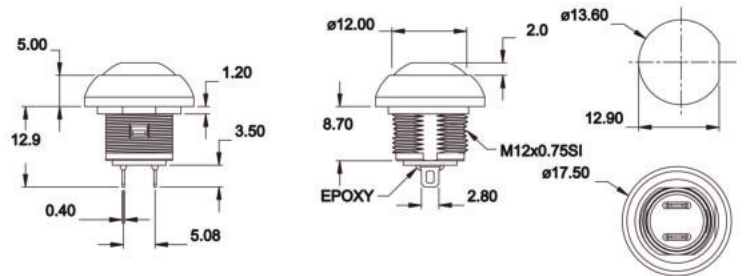
#### SOAT12PK2J

PA66 High round key, black zinc alloy body, solder terminals



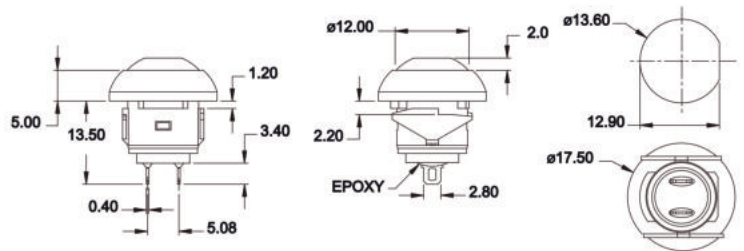
#### SOAT12DKJ

PA66 button, Zinc alloy body, solder terminals



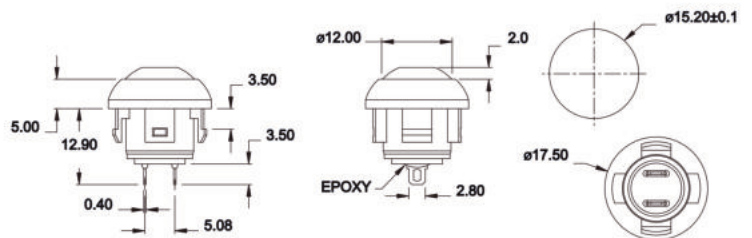
#### SOAT12Y1BJ

PA66 button, plastic snap'in 1 body, solder terminals



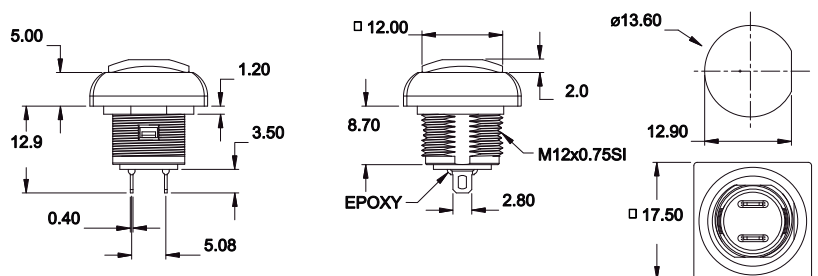
#### SOAT12Y2RJ

PA66 button, plastic snap'in 2 body, solder terminals



#### SOAT12D2KJ

PA66 button, Zinc alloy body, solder terminals



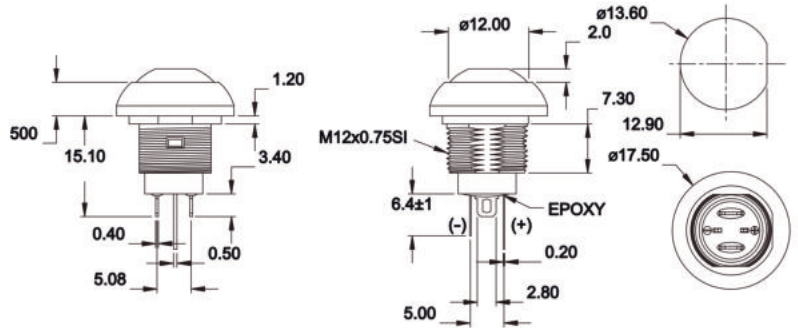
## ILLUMINATED - NO



### SOAT12DKDJ•

PA66 button, Zinc alloy body, **momentary**, solder terminals

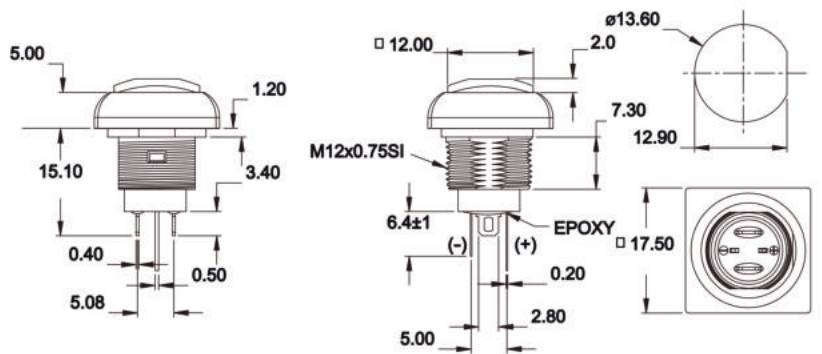
\* please select LED color in Build Your Part Number section



### SOAT12D2KDJ•

PA66 button, Zinc alloy body, **momentary**, solder terminals

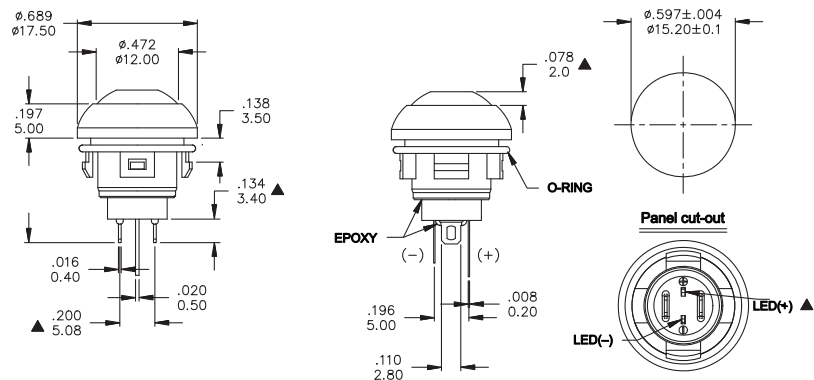
\* please select LED color in Build Your Part Number section



### SOAT12Y2KDJ•

PA66 black button, snap'in 2 PA black body, **momentary**, solder terminals

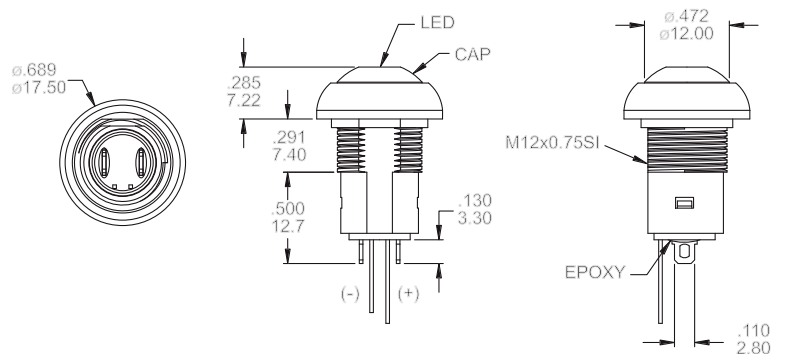
\* please select LED color in Build Your Part Number section



### SOAT12PRDZJ•

PA66 red button, PA black body, **alternate** solder terminals

\* please select LED color in Build Your Part Number section



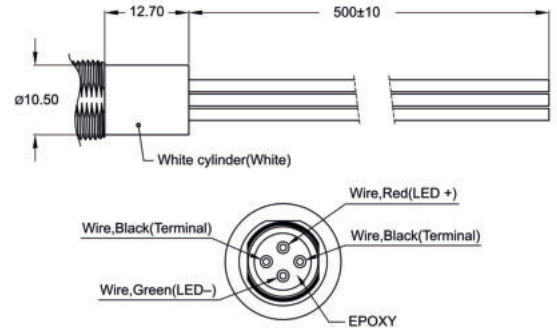
## FULLY SEALED WIRE LEADS - NO - MOMENTARY



### SOAT12PKDF1•

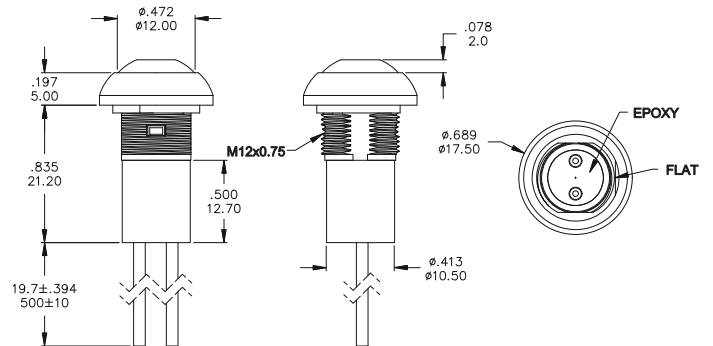
PA66 button, plastic body ,  
500mm wires

• please select LED color in Build Your Part Number section



### SOAT12PGF1

touche en PA66, corps PA noir, sortie fils  
500mm



## ACCESSORIES

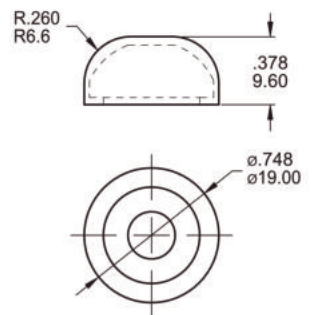


### 80-59918.

add this extra silicon cap to bring ingress  
protection grade up to IP68 level

#### • Available Colors

- 9** Transparent
- R** Red
- K** Black



*cablage haute couture*



custom designed harness on a SOAT12D13WF