

SECURITY PUSHBUTTON SWITCHES • Ø16MM • NO • LED ILLUMINATED

🏆 DISTINCTIVE FEATURES

compact size
excellent tactile feedback
LED illuminated versions
momentary
NO contact
3A @ 220 V
specific wiring upon request
custom illuminated logo upon request



⚡ ELECTRICAL SPECIFICATIONS

Max voltage : 250 V
Max current/voltage with resistive load :
3 A @ 220Vac / 5A @ 24 Vdc
Initial contact resistance : 50 mΩ max
Insulation resistance : 1000 MΩ mini at 500Vdc
Electrical life : 100.000 cycles at full load
Dielectric strength : 1000 VAC, 50Hz, 50 seconds
LED voltage : see *Build your part number* section
LED typical life : 40.000 hours

☀ ENVIRONMENTAL SPECIFICATIONS

Operating temperature = from -30°C to +85°C
Non illuminated versions are IK10 compliant
Ingress Protection to IP67 - frontpanel
Compliant with IEC60947-5-1 standard
Compliant with GB14048.5 standard

⚙ MECHANICAL SPECIFICATIONS

Actuation force : from 2 to 5 Newtons
Travel : from 1.5mm to 2.5mm
Mechanical life : 1.000.000 cycles minimum
Switchbase material : PA66G30
Body material : see *Build your part number* section
Button material : see *Build your part number* section
Lugs material : gold plated copper
Contact material : silver plated

☰ GENERAL SPECIFICATIONS

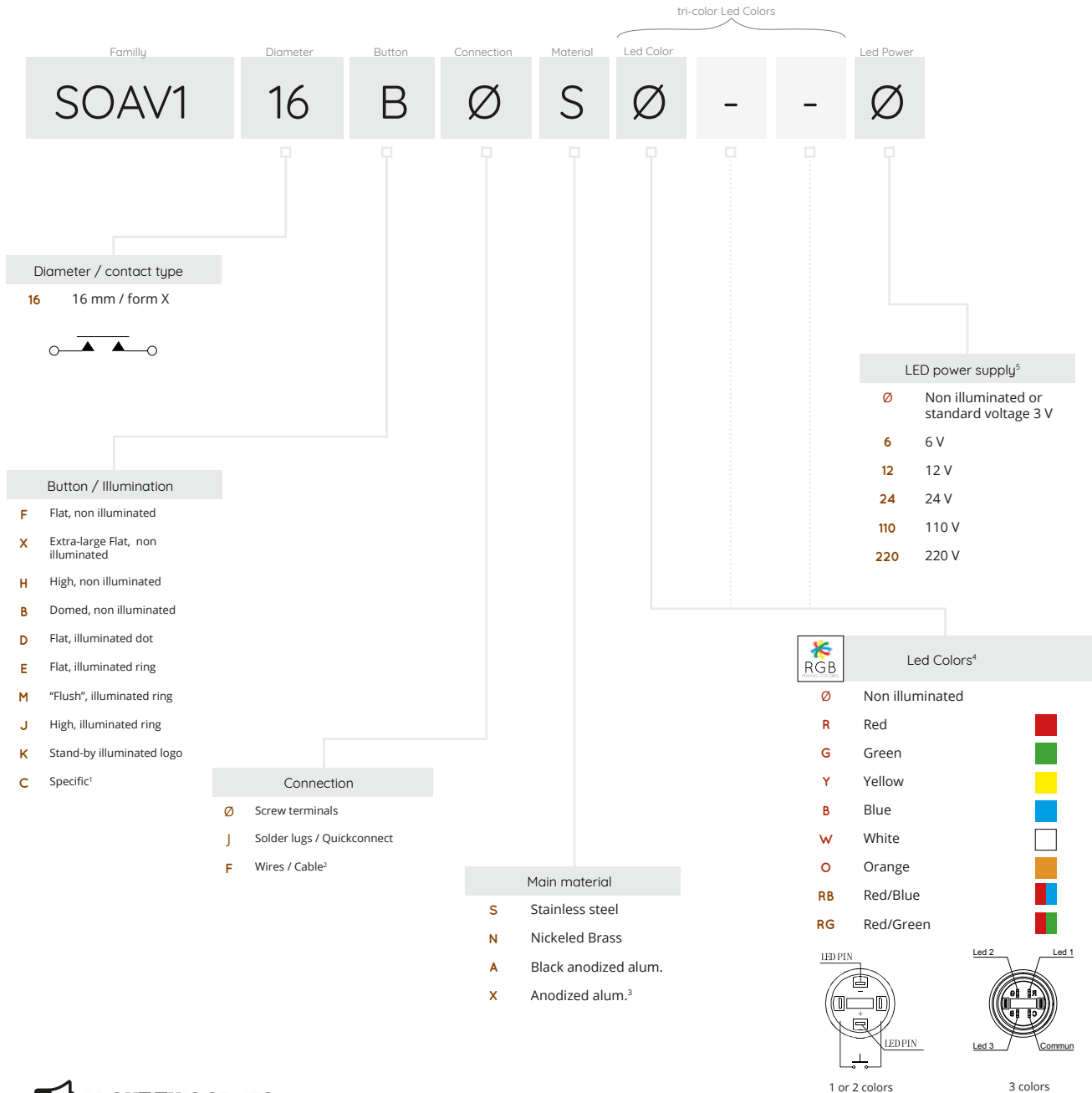
Typical drilling diameter : 16.5mm
Panel thickness : 12mm max.
Minimum pitch for matrix installation : 24 x 24 mm
Hand soldering : 300°C max. during 5 seconds



SOAV116 series


SECURITY PUSHBUTTON SWITCHES • Ø16MM • NO • LED ILLUMINATED

BUILD YOUR PART NUMBER



ABOUT THIS SERIES

¹  U.DESIGN service: custom button design upon request, custom marking upon request.

²  U.DESIGN service: custom wiring and harness upon request.

³ Anodized aluminum with custom color upon request and subject to MOQ.

⁴ Led Colors :

- for 1 or 2 colors version, please select colors from the list .For bi-color Leds (RG or RB), color change is operated with LED polarity swapping.

- for 3 colors version, select 3 desired colors from the list. Common power supply is made through the Cathod.

⁵ Standard LED power-supply : 3 V. For options 6, 12, 24, 110 et 220 V an external resistor to be soldered is supplied.

Our pushbutton switches are delivered with their nickel plated brass hex nuts as well as their gasket.

⚠ SOME CONFIGURATIONS MIGHT NOT BE AVAILABLE OR SUBMITTED TO M.O.Q.

FOR ALL YOUR CUSTOM REQUESTS, CONTACT US !
sales@hynoppe.com

SOAV116 series

SECURITY PUSHBUTTON SWITCHES • Ø16MM • NO • LED ILLUMINATED

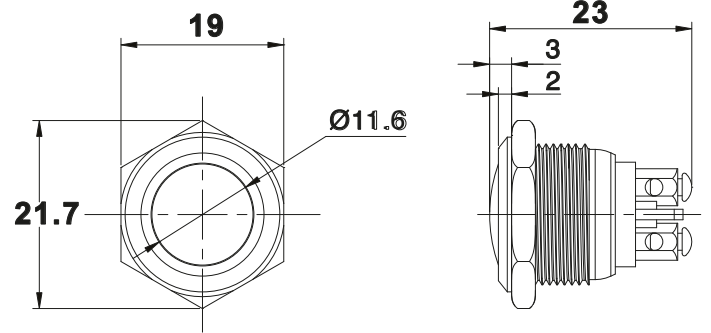
CONFIGURATION EXAMPLES

DOMED BUTTON - NON ILLUMINATED - SCREW TERMINALS



SOAV116B0S00

stainless steel, momentary

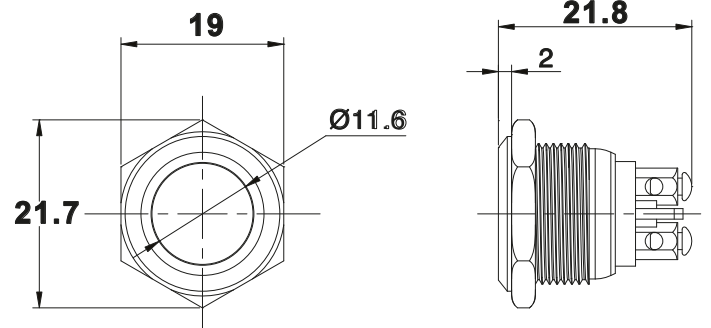


FLAT BUTTON - NON ILLUMINATED - SCREW TERMINALS

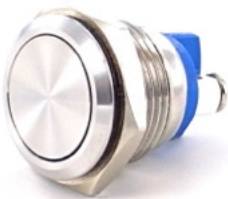


SOAV116F0S00

stainless steel, momentary

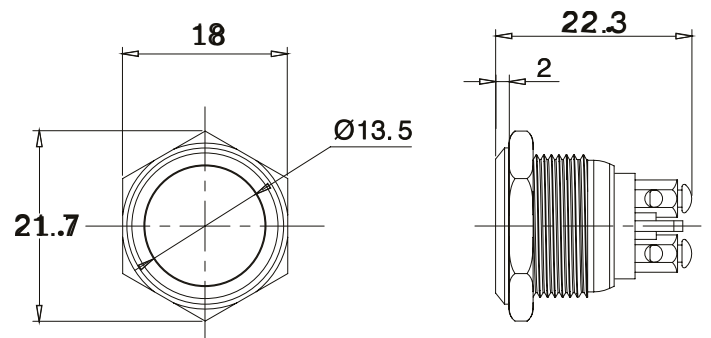


EXTRA-LARGE FLAT BUTTON - NON ILLUMINATED - SCREW TERMINALS



SOAV116X0S00

stainless steel, momentary



SOAV116 series

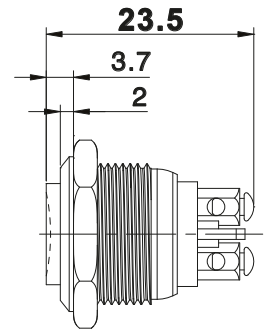
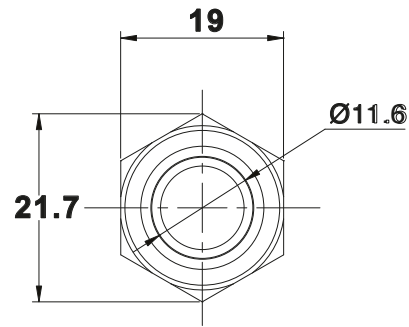
SECURITY PUSHBUTTON SWITCHES • Ø16MM • NO • LED ILLUMINATED

HIGH BUTTON - NON ILLUMINATED - SCREW TERMINALS



SOAV116H0S00

stainless steel, momentary



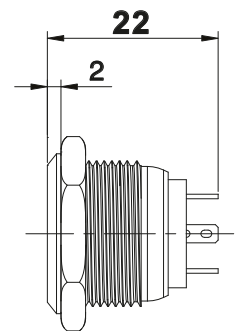
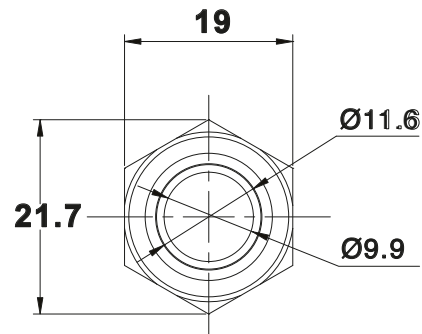
FLAT BUTTON - ILLUMINATED RING - SOLDER LUGS



SOAV116EJA••

black anodized alum., momentary

* please choose LED color and voltage in Build your part number section, when LED is off, ring is without color



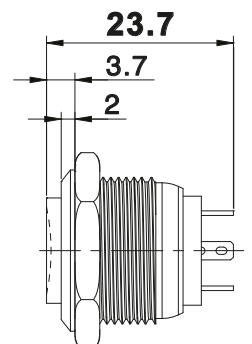
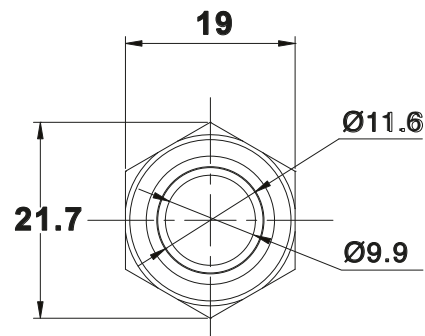
HIGH BUTTON - ILLUMINATED RING - SOLDER LUGS



SOAV116JJS••

stainless steel, momentary

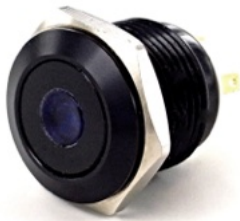
* please choose LED color and voltage in Build your part number section, when LED is off, ring is without color



SOAV116 series

SECURITY PUSHBUTTON SWITCHES • Ø16MM • NO • LED ILLUMINATED

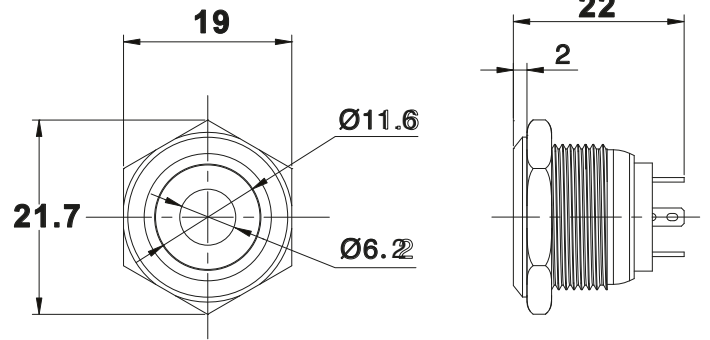
FLAT BUTTON - ILLUMINATED DOT - SOLDER LUGS



SOAV116DJA••

black anodized alum., momentary

* please choose LED color and voltage in Build your part number section,
when LED is off, lens dot has the same color as LED



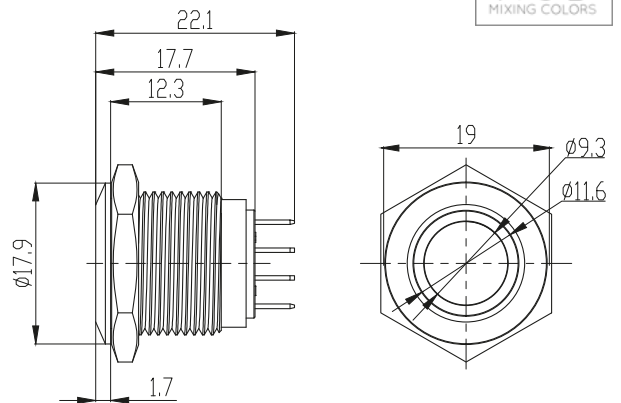
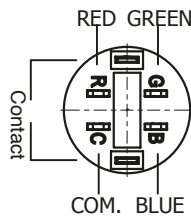
FLAT BUTTON - RGB RING - SOLDER LUGS



SOAV116EJSRGO

stainless steel, momentary

Lens is transparent when LED is off.
Standard LED power supply: 3V



ACCESSORIES & OPTIONS

80-000217

knurled nut
nickel brass, M16x1



Crazy Colors

customized
color of button and body
submitted to MOQ



U.DESIGN

customized wiring
submitted MOQ

