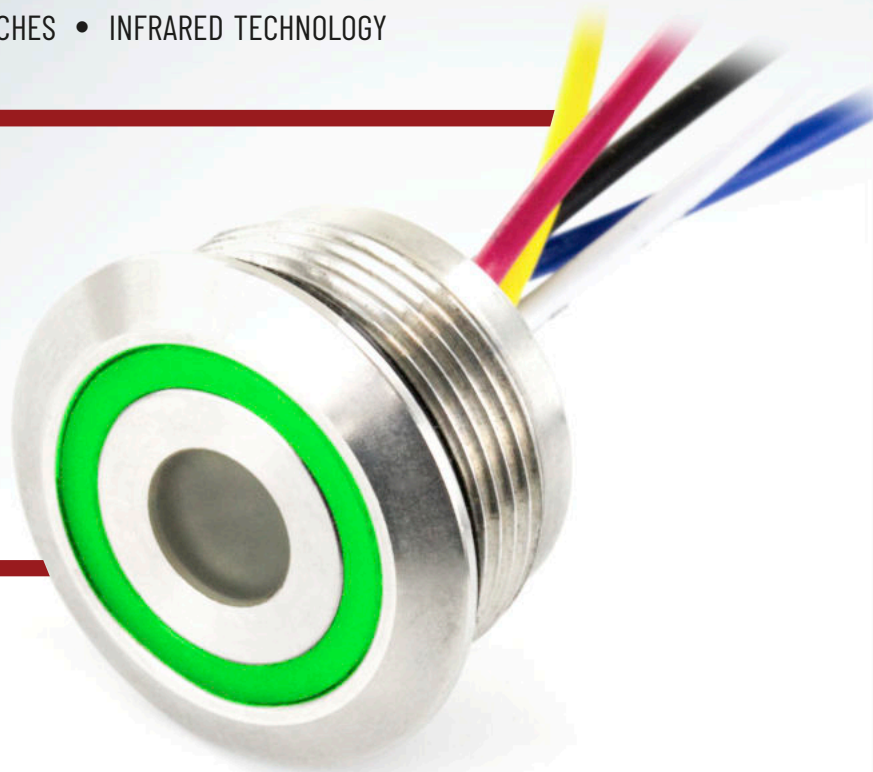


“TOUCHLESS” SWITCHES • INFRARED TECHNOLOGY

DISTINCTIVE FEATURES

- touchless actuation from 0 to 5 cm
- easy setup
- IP67
- illuminated ring



ELECTRICAL CHARACTERISTICS

Power supply : 12 Vac/dc or 24Vac/dc
 Operating current : 150mA Max
 Output : PNP, NO contact
 Functions :
 On/Off, momentary
 Electrical lifecycles : +1.000.000 cycles

ENVIRONMENTAL CHARACTERISTICS

Working temperature : -25°C to +55°C
 Humidity : 40~85%RH
 Protection degree : IP67

IDÉAL FOR...



Security

Ticketing

Parking

Medical

et so much more !

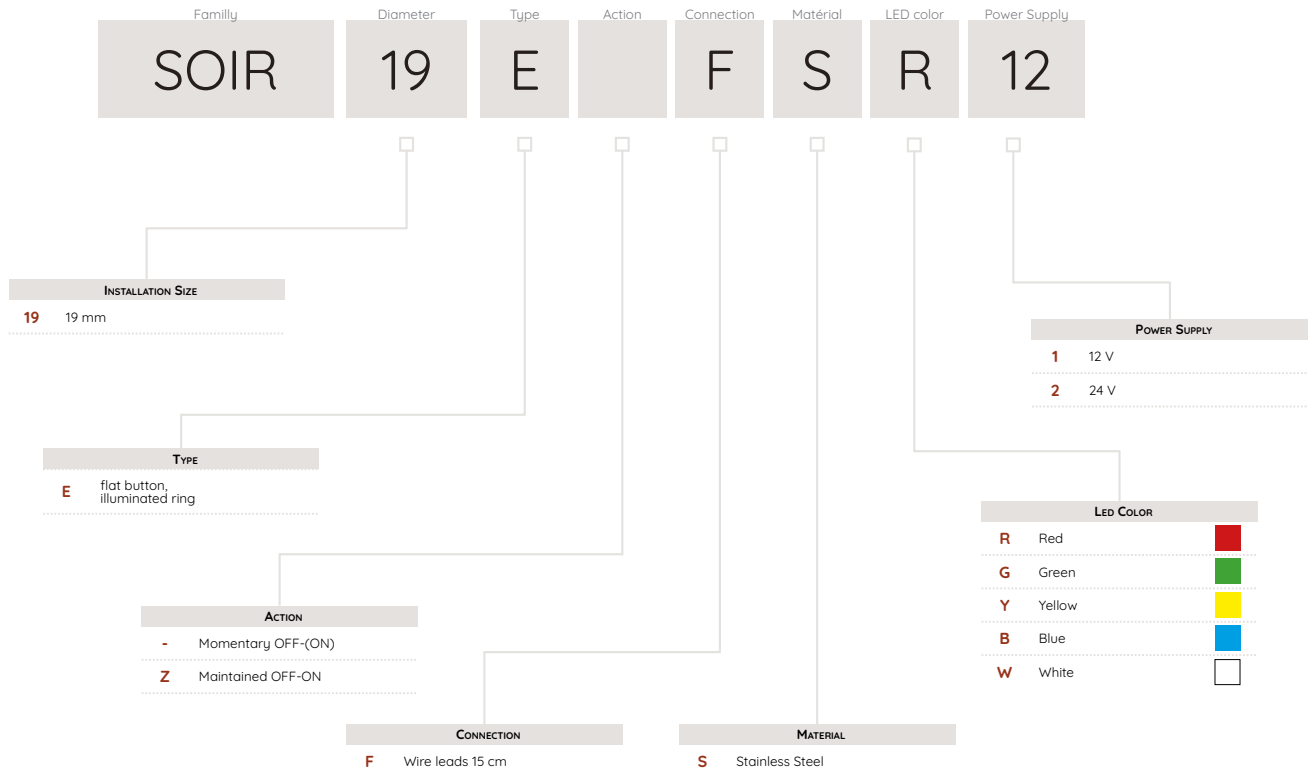
MECHANICAL CHARACTERISTICS

Material : Stainless Steel 316L
 Connection via wire leads
 Mechanical life : virtually illimited

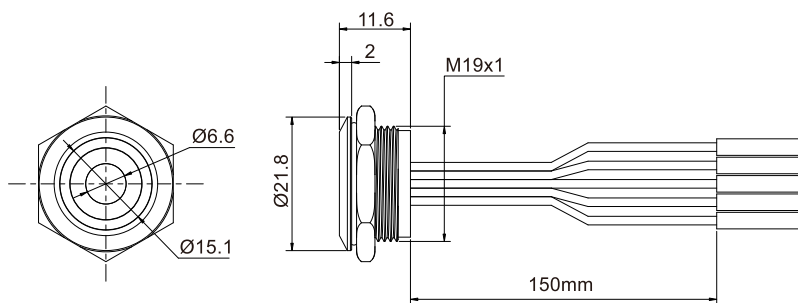
GENERAL CHARACTERISTICS

Installation diameter size : 19,5 mm
 Panel thickness : from 0.8 to 4.5mm

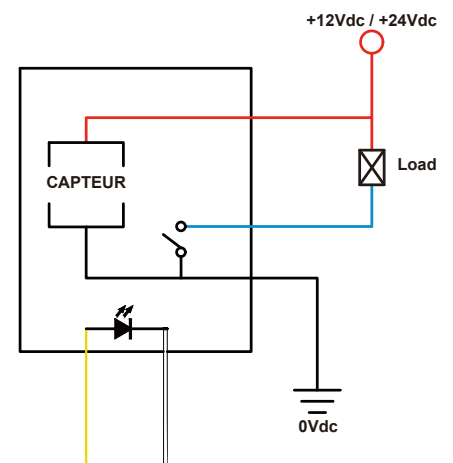
BUILD YOUR PART NUMBER



DIMENSIONS



CIRCUIT DIAGRAM



ABOUT THIS RANGE

Our pushbuttons are always supplied with hex or knurled nut and washer.

⚠ SOME CONFIGURATIONS MIGHT NOT BE AVAILABLE OR SUBMITTED TO M.O.Q.

FOR ALL YOUR CUSTOM REQUESTS, CONTACT US !
sales@hynoppe.com