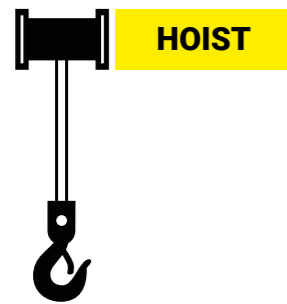


P02

Pendant control station



Single row pendant control station with two holes for small hoist

Features

- Bi-directionality is mechanically interlocked;
- IP65 Double insulation (IEC / EN 60529);
- Laser engraved symbols according to EN 60204-1, FEM 9.941;
- Shock proof and heat resistant;
- Available versions: for single or double speed engines and direct control 1 kW - 1 speed;
- Available with UL/CSA requirements;
- Available upon request also in V0 material, UL approved;
- Available in kit version.

Available codes

Available codes						
P02.RM Single speed						
P02.1 Single speed						
P02.2 Single speed						
P02.4 Single speed						
P02.CD Direct control / Single speed						
P02.D2 Double speed						

Compliance and certifications

- 2014/35/UE
- 2011/65/UE RoHS
- EN 60947-1 (2007/A1 : 2011/A2 : 2014)
- EN 60947-5-1 (2004/A1 : 2009/AC : 2004/AC : 2005 EN ISO 13850 2015)
- EN 60204-1 (2006/A1 : 2009)
- EN-ISO 13849-1 (2015)
- EN ISO 13849-2 (2012)
- EN 60529 (1991/A1 : 2000/A2 : 2013)

Technical data

General characteristics		
Compliant to standards		IEC / EN60947-5-1
Material		PP
Material Group		II
Pollution class		3
Temperature	operating storage	-25°C ... +70°C -30°C ... +70°C
Climate resistance	IEC68 part 2-3 IEC68 part 2-30	hot dump unsettled hot damp
Cable entry		rubber cable sleeve Ø 7 ... 18 mm

Electrical characteristics - Contact blocks

Marking			
Rated insulation voltage [Ui]		690 V *	
Rated impulse withstand voltage [Uimp]		4 kV *	
Frequency		50/60 Hz *	
Rated thermal current [Ith]		16 A *	
Rated thermal current in enclosure [Ithe]		10 A	
Rated operational current [Ie]			
AC-15 alternate current	type: PL0040..	24 V	16 A *
		60 V	12 A
		120 V	8 A
		240 V	6 A
		400 V	4.5 A
		440 V	3.5 A
		500 V	3 A *
		690 V	1 A
DC-13 direct current	type: PL0040..	24 V	2 A *
		48 V	1.2 A
		60 V	0.85 A
		110 V	0.4 A
		220 V	0.25 A *
Conditional short circuit withstand current		1000 A *	
Fuses rating gC		10 A * - 500 V	
Contact insulation resistance		≤ 25 mΩ	
Switching mechanism	type: PL0040..	slow break double gap contacts	
Positive operation		NC contact blocks - positive opening	
Operating force		4 N	
Electric durability AC-15		1 A	1.5 millions of cycles
		2 A	0.5 millions of cycles
		3 A	0.25 millions of cycles
Terminal type	type: PL0040..	M3.5 screw terminals	
Terminal capacity	type: PL0040..	N° 1 or 2 flexible and solid conductor 1 ... 2.5 mm ²	

UL508 characteristics

Rated insulation voltage [Ui]		10 A - 600 V ac / 2.5 A - 125 V dc
Rated impulse withstand voltage [Uimp]		A600-Q600

* IMQ approved values



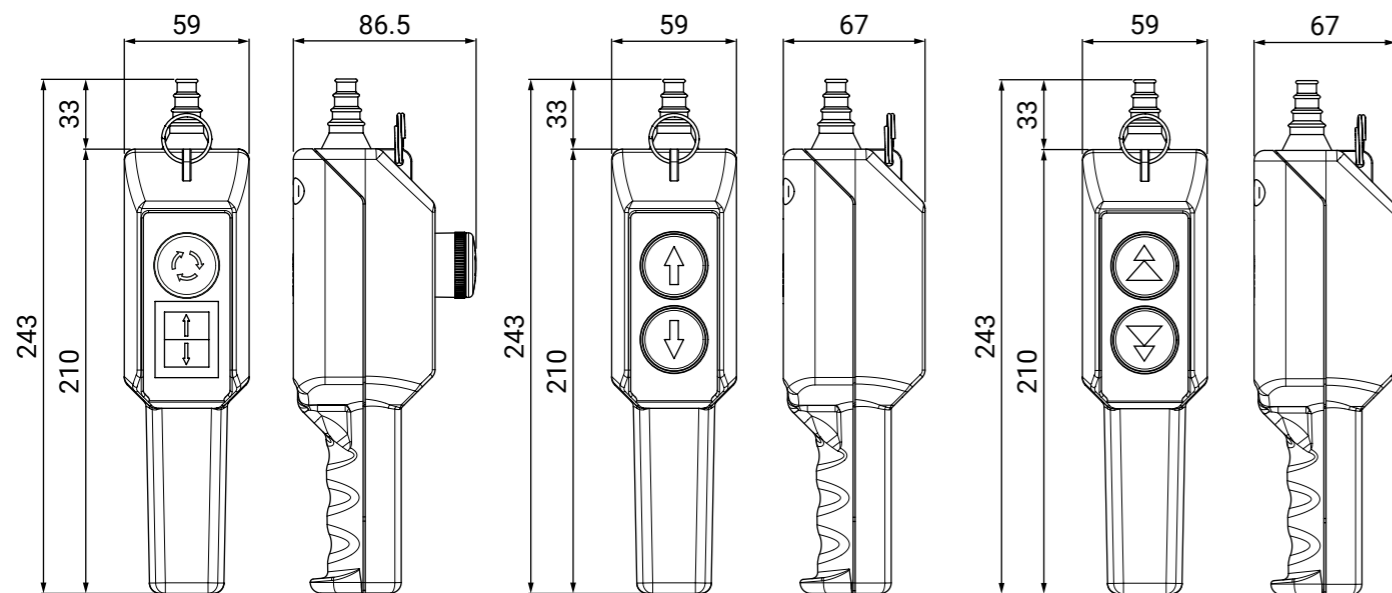
P02

Pendant control station

Available codes



P02.RM	P02.1 P02.2 P02.4 P02.CD	P02.D2
---------------	---	---------------



Standard versions

PRODUCT CODE	FUNCTION	LAYOUT	PUSH BUTTON	CONTACT CONFIGURATION
P02.RM	Single speed			1 NC
				ON - OFF - ON
P02.1	Single speed			1 NO
				1 NO
P02.2	Single speed			2 NO
				2 NO
P02.4	Single speed			1 NC + 1 NO
				1 NC + 1 NO
P02.CD	Direct control Single speed			1 NC + 2 NO
				1 NC + 2 NO
P02.D2	Double speed			NO + NO
				NO + NO

PENDANT STATIONS

CONTACT CODE

Single speed

1 NC
PL004001

1 NO
PL004002

ON
OFF
ON
11708237

Single speed
Direct control

1 NC
PL004001CD

1 NO
PL004002CD

Double speed

NO + NO
PL004010.S